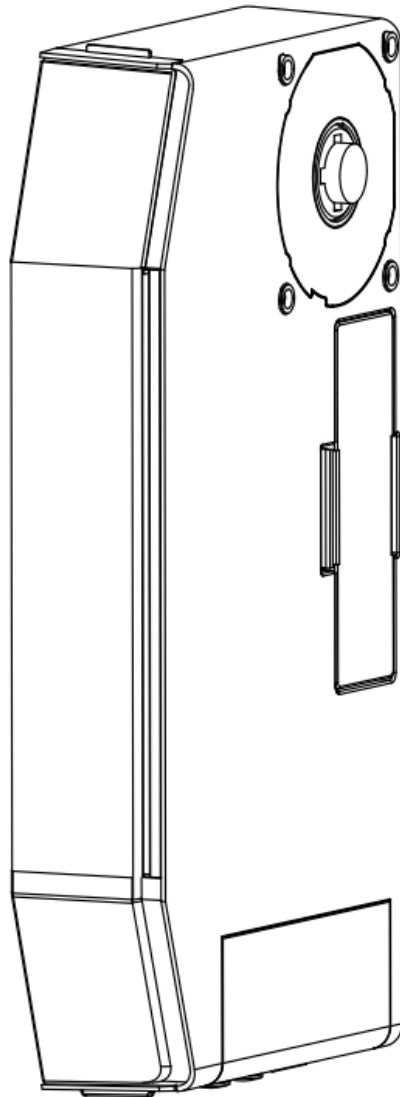


Multi Drive Garage & Commercial Door Opener

Control System Instructions And User Guide



S/N	
-----	--

--

Table Of Contents

1. General Information 01

2. Installation Guide 02

3. User Instructions 03

4. Maintenance, Disassembly, and Disposal 04

5. Electrical Specifications 05

6. Port Descriptions 06

7. Electrical Installation and Wiring 07

8. Control Box Button Functions 08

9. Parameter Overview 11

10. Parameter Details 15

Table Of Contents

11. System Running Display Codes 56

12. System Fault Codes 57

13. Drive System Fault Codes 59

1. General Information

Product Overview

The Multi Drive is a versatile garage and commercial door opener control system designed for reliable and efficient operation.

Installation and Maintenance

This system requires professional installation and maintenance by qualified personnel. Refer to the user manual for detailed instructions.

Safety Precautions

Electric current is hazardous. Ensure all electrical work is performed by qualified personnel, and the power is disconnected before any maintenance or installation tasks.

2. Installation Instructions

Qualified Personnel

Only competent and professional individuals should install and operate the door opener.

The installer must be electronically qualified for this type of installation.

Original Components

Any modifications or replacements must be authorized by the manufacturer and use original components or replacement parts.

Safety Precautions

Electric shock, burns, and death can result from contact with live components.

Ensure the power is disconnected during any electrical work and the system is protected against accidental reconnection.

User Awareness

Inform the user/owner of the hazards associated with the door and electrical installation upon delivery, and ensure this information is passed on to any other users.

Correct Rotation

The control box is programmed for clockwise (right-rotating) operation. Ensure the operator is correctly installed to avoid damage.

3. User Instructions

Qualified Operation

Children and individuals with limited physical, sensory, or mental abilities should not operate the control box or play near the powered door.

Maintenance and Safety

Regular maintenance is essential for safe operation. Inspect the system regularly and address any defects promptly.

Authorized Use

Control components, including hand-held openers, should be stored safely out of reach to prevent unauthorized access.

Environmental Considerations

Do not use the control box in environments prone to condensation.

4. Maintenance, Disassembly and Disposal

Maintenance

The operator and control box are maintenance-free. However, the following inspections are recommended during maintenance:

- Check the complete fitting of the operator and control box.
- Check the balance of the door and correct if necessary.
- Check the function of the end switch, encoder, and limit switch setting.
- Check the function of all (safety) switches.
- Check the function of any safety edge or light curtain.
- Check the function of any braking device.
- Conduct a general (audio) visual inspection.

Disassembly

The installation manual can be used as a reference for disassembling the operator and control box. Note that the described adjustment work does not apply in this case.

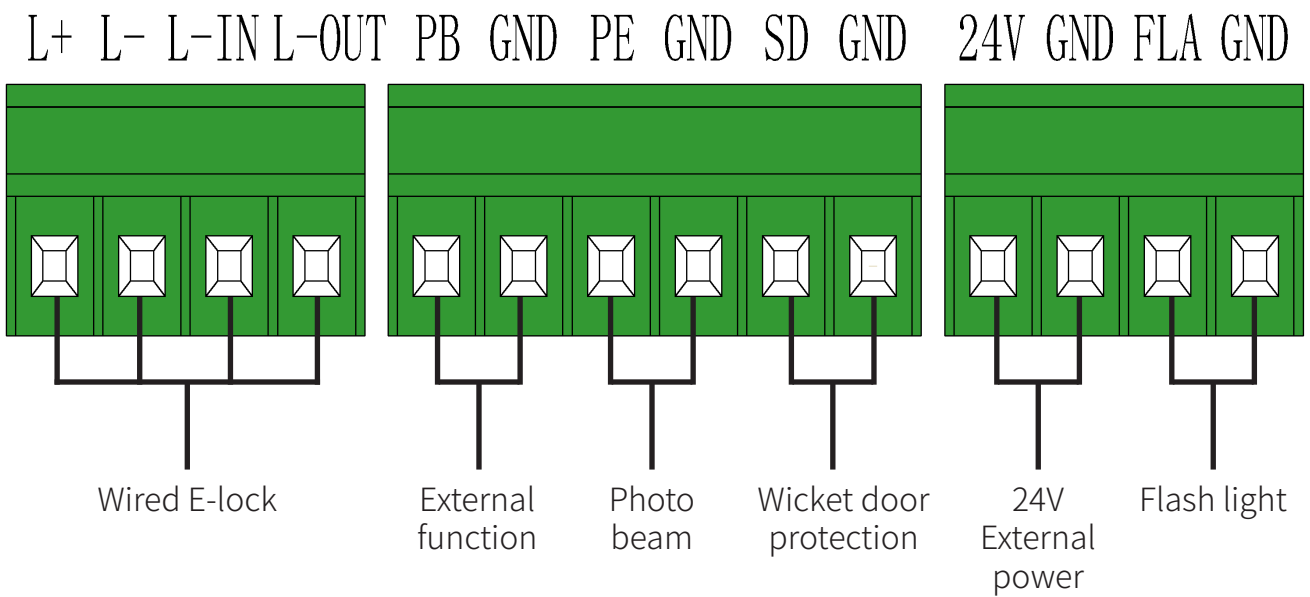
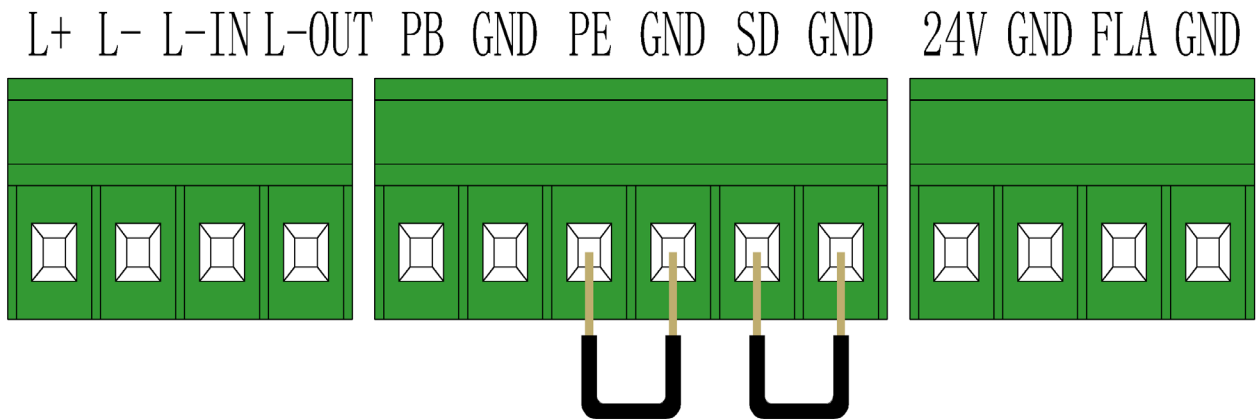
Disposal

- Waste products must be separated into metals, plastics, electrical parts, and lubricants.
- Dispose of materials according to applicable national regulations.
- Do not dispose of the product with household waste. It should be treated as electronic equipment.

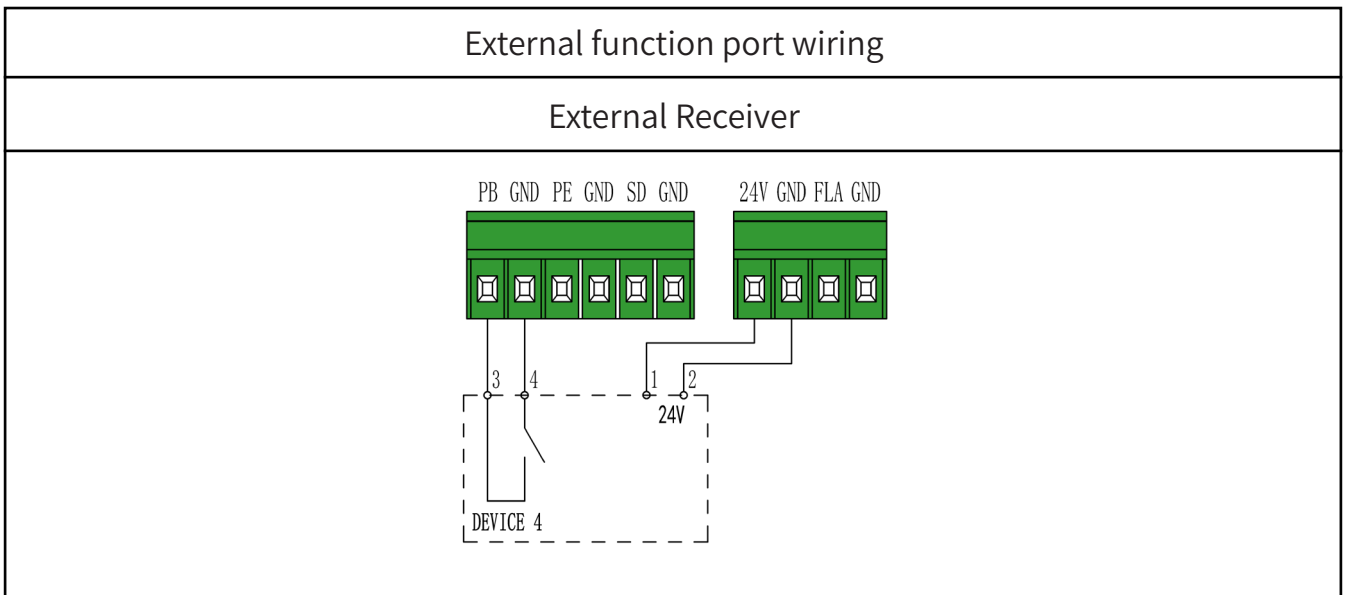
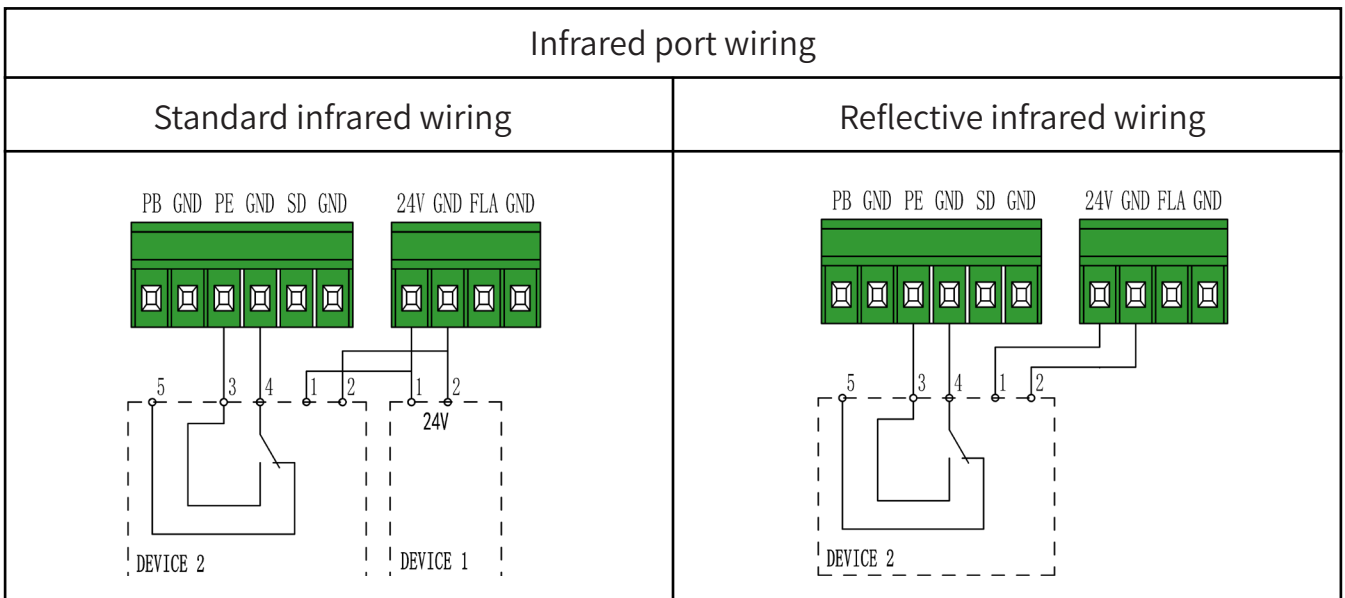
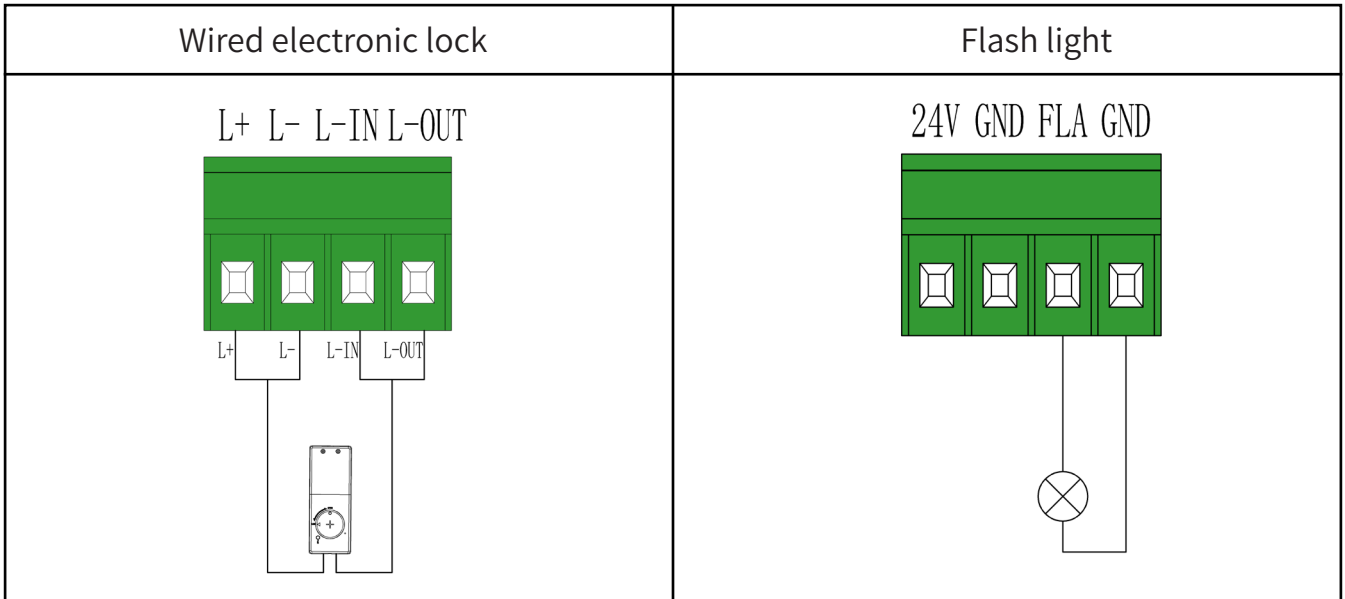
5. Electrical Specifications

Series Name	Multi Drive
Dimensions (L*W*H mm)	443*221*73
Installation	Vertical, No Vibration (without rail adapter)
Power supply frequency (HZ)	50/60
Power supply voltage ($\pm 10\%$)	110V-127V or 220V-240V
Phase protection current (A)	3.15
External power supply: 24V	24V(DC)
	0.5A
Bulti-in lithium battery input voltage (V)	29.6
System Control Voltage (V)	3.3
Standby Power Consumption (W)	5
Temperature range ($^{\circ}$ C)	-20 $^{\circ}$ C~ +60 $^{\circ}$ C
Enclosure protection level	IP43
Limit switch	DES (Digital Limit Switch)

6.Port Descriptions



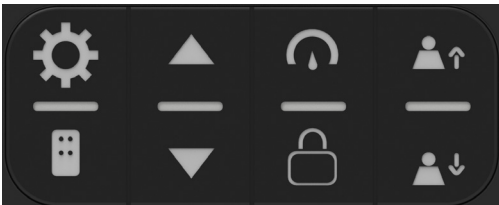
7. Electrical Installation and Wiring



8. Control Box Button Functions


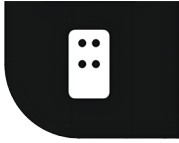








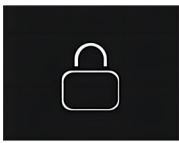







Display Digital:
Displays the current operating status and error codes.



Operation Buttons

8.1 Control panel button operation instructions















Item	Button	Function Description
1.		<p>Short press: Menu confirmation button Long press: Enter the menu</p>
2.		<p>Short press: Enter coding mode, display  menu, return to the standby screen</p> <p>Long press for 8 seconds: Clear all remote control codes and display </p>
3.		<p>Short press: Door opening button/ move up to adjust the function menu / Travel limit setting "Door opening" button</p>
4.		<p>Short press: Door closing button / Move down to adjust the function menu / Travel limit setting "Door closing" button</p>
5.		<p>Short press: Display the current door opening speed parameters, default parameters: </p> <p>Long press: adjust the door opening speed, parameter range:  ~ </p>
6.		<p>Long press for 3 seconds: Child lock function locked(unlock)</p> <p>Button trigger display: ,  Long press can still enter the 9.2 menu settings.</p> <p>Unlock status display: </p>









Item	Button	Function Description
7.		<p>Short press: Display the current door opening force level parameters, default parameters: 05</p> <p>Long press: adjust the door opening force level, level range: 01 ~ 09</p>
8.		<p>Short press: Display the current door closing force level parameters, default parameters: 03</p> <p>Long press: adjust the door closing force level, level range: 01 ~ 09</p> <p>Note: Entering or exiting parameter 01 needs to relearn the travel limit.</p>

9. Parameter Overview

Par	Function Description	Description of default parameters	P.
	Travel limit setting	Learning the open limit and close limit of motor	15
	Motor rotation direction setting	 : Motor standard direction (Default)	17
	Remote control function selection	 : Standard function, single key cycle (Default)	17
	Open/close button model setting	 : Click to open the door, click to close the door (Default)	19
	Safety edge pre-limit fine-tuning	 : Safety edge pre-limit area parameters (Default)	20
	Motor open limit fine-tuning	 : Actually the limit shifts towards the door closing direction (Default)	21
	Motor close limit fine-tuning	 : The actual close limit shifts toward the door opening direction (Default)	22
	Door closing speed adjustment	 : Door closing speed parameter (Default)	24
	Door opening speed adjustment	 : Door opening speed parameter (Default)	24
	Soft stop range adjustment	 : The closing speed reduction distance is the door travel limit 20% (Default)	25
	Soft start range adjustment	 : The door opening speed reduction distance is the door travel limit 10% (Default)	26
	Closing soft stop speed adjustment	 : Door closing soft stop parameters (Default)	27
	Opening soft stop speed adjustment	 : Door opening soft stop parameters (Default)	27
	Soft stop time setting	 : The slow stop time when the motor is running is 0.7 seconds (Default)	28

Par	Function Description	Description of default parameters	P.
3.1	Soft start time setting	0.7 : Motor start time 0.7 seconds (Default)	29
3.2	Motor close limit overflow time setting	20 : Close limit overflow time 0.20s (Default)	30
3.3	Obstruction reversal sensitive adjustment	00 : Response time of safety edge encountering obstacles 0.005 seconds (Default)	31
3.4	Photo beam obstruction reversal sensitive adjustment	50 : Infrared resistance reaction time 0.5 seconds (Default)	32
3.5	Reverse running time adjustment	00 : Reverse to the open limit when encountering resistance (Default)	33
4.0	Automatic closing function	00 : Automatic door closing function off (Default)	34
4.1	Automatic closing condition function setting	00 : Open limit executes automatic door closing (Default)	35
4.2	Relevance Setting for Automatic Closing and Photo Beam	00 : After the PE port is triggered, stop the automatic door closing timer and turn off the automatic door closing function (Default)	36
5.0	PE port function setting	01 : Standard infrared function (Default)	37
6.0	Partial open function setting	00 : Feature not enabled (Default)	40
6.1	PB port function setting	01 : Switch stop cycle function (Default)	42
6.2	Flash light port function setting	00 : Function disabled (Default)	43
6.3	Electronic lock function setting	00 : Function disabled (Default)	44

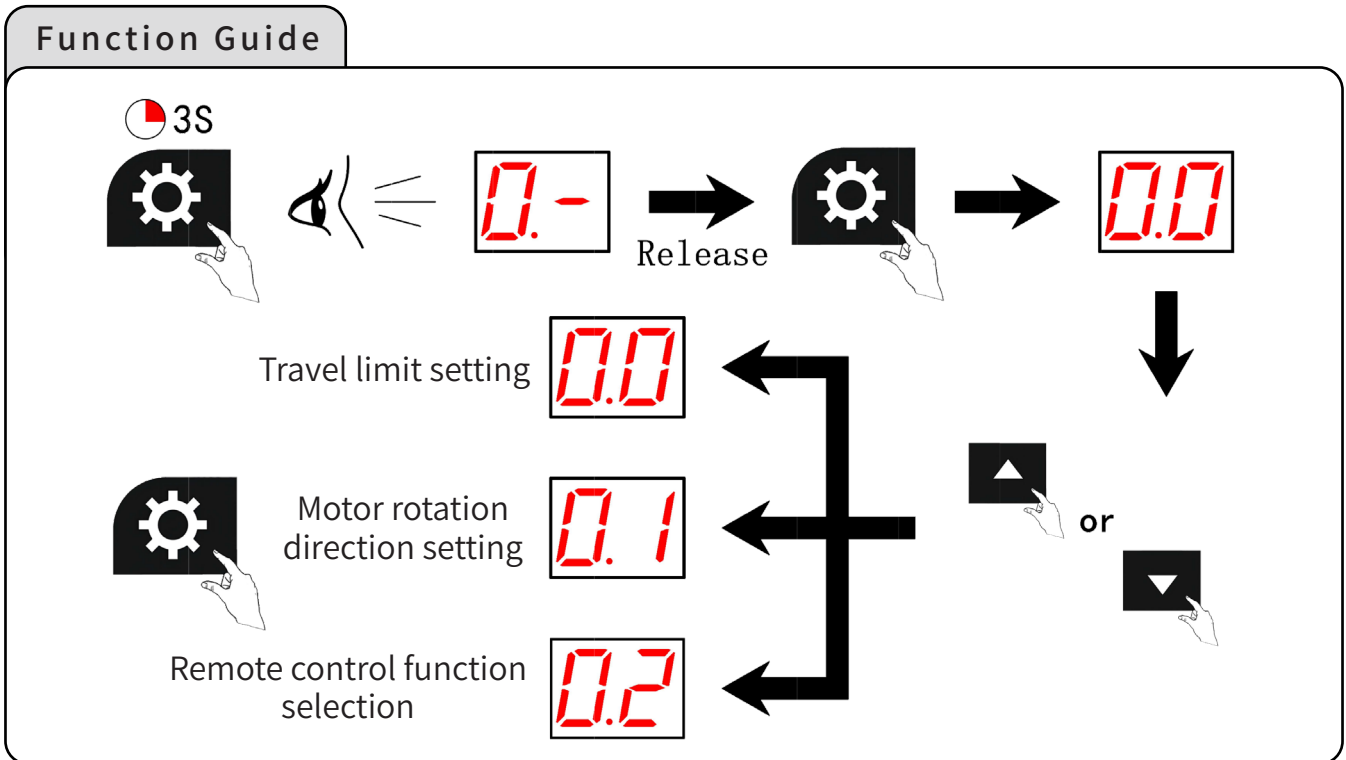
Par	Function Description	Description of default parameters	P.
	Courtesy light delay off function setting	 : Delay 3 minutes to close (Default)	46
	Restore factory setting	All function settings are set to factory settings! Except for the motor's cumulative running time and the number of maintenance alarms.	46
	Customer version inquiry	Query function: query the customer code version information of the IDO controller	47
	Software version inquiry	Software version information of IDO controller	47
	Motor running cycles inquiry	Query function: query the cumulative running times of the motor	47
	Inquiry of the latest 4 fault codes of the motor	Query function: query the last 4 fault codes of the motor	48
	Maintenance alarm times setting	 : The number of maintenance alarms is not enabled (Default)	49
	Maintenance alarm times inquiry	Query function: query the remaining number of maintenance alarms	50
	Transmitter lock function setting	 : Function off (can also be enabled by standard remote control) (Default)	52
	Display button lock function	 : Function off (Default)	52

Par	Function Description	Description of default parameters	P.
	Pre-warning time setting before door closing (The parameter time setting range is: 0 seconds to 9 seconds. Compatible with the warning light function port 00-06 in section 6.2, the corresponding function menu can be seen after it is enabled)	 : Pre-operation warning time is set to 0 seconds (Default)	53
	Pre-warning time setting before auto - closing (compatible with the application of function 00-06 in section 6.2), and it is necessary to enable the automatic door closing function menu in section 4.0	 : The warning time is 0 (Default)	53
	Warning light flashing frequency setting (The warning light has a flashing frequency of 60 times per minute, compatible with the application of the warning light function port 00-06 in section 6.2, the corresponding function menu can be seen after it is enabled)	 : The flashing frequency of the warning light is 60 times per minute (Default)	54
	Flash light off delay setting after door closed (Compatible with the warning light function port 00-06 in section 6.2, the corresponding function menu can be seen after it is enabled)	 : Warning light delay function off (Default)	55

10.Parameter Details



Menu 0: Motor travel limit setting



Travel limit setting

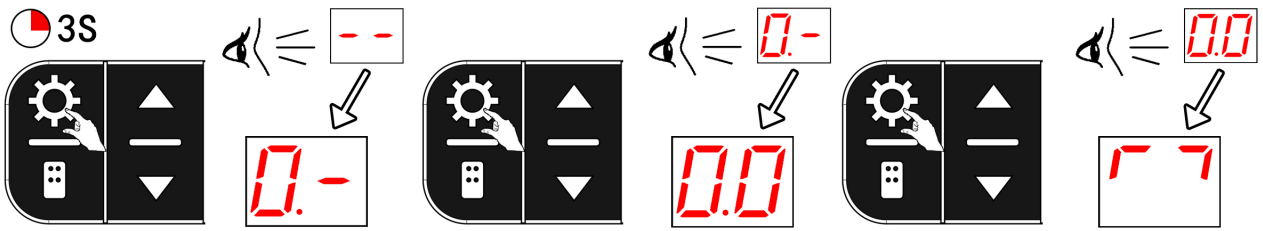
To prevent any damage resulting from incorrect rotation during operation, it is crucial to manually open the door halfway before initially setting the travel stroke.

Important Note: Once you access the travel limit setting menu, the previous travel limits will be erased, necessitating re-learning the travel itinerary.

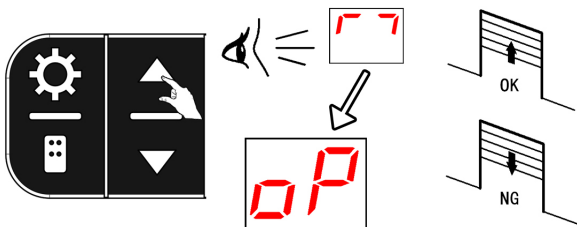
After configuring the upper and lower travel distances, the motor will initiate a self-learning cycle for one complete door opening and closing sequence. Kindly exercise

Travel limit setting

1. Enter motor travel setting

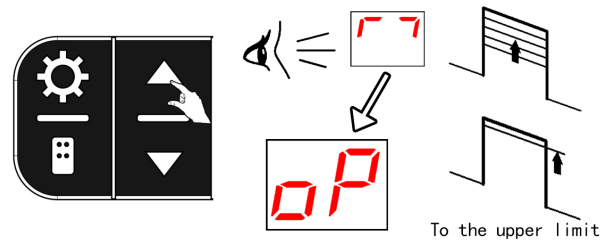


2. Check motor output direction and door running direction

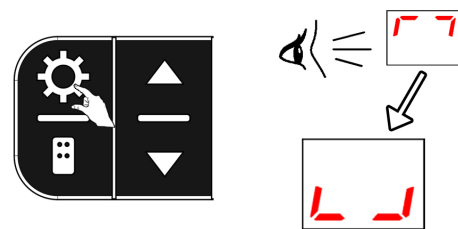


Note: If the motor running direction does not match the door running direction, please exit the learning process first and adjust the motor running direction in the 0.1 menu.

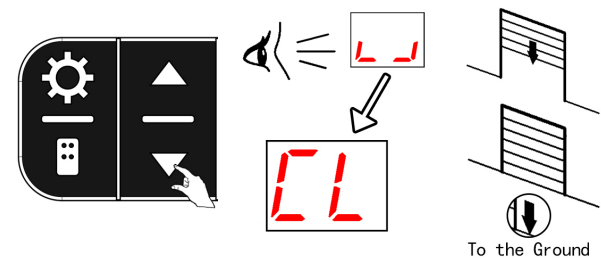
3. Start the travel limit set, open the door and move to the open limit position



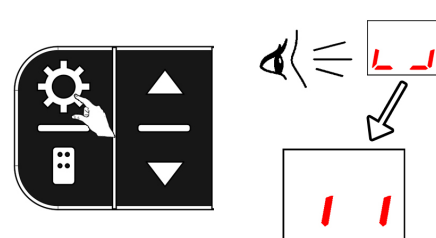
4. Save upper limit position



5. Close the door and move to the close limit.



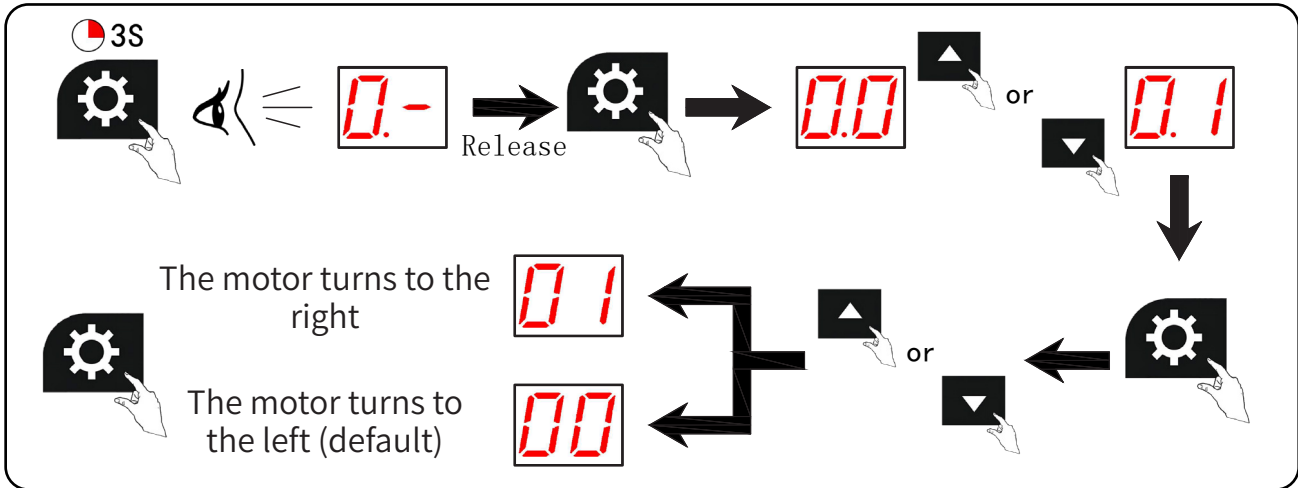
6. After confirming the close limit position, the motor enters into self-learning. When the motor self-learning is complete, the travel limit set is complete.



0.1 Motor rotation direction setting

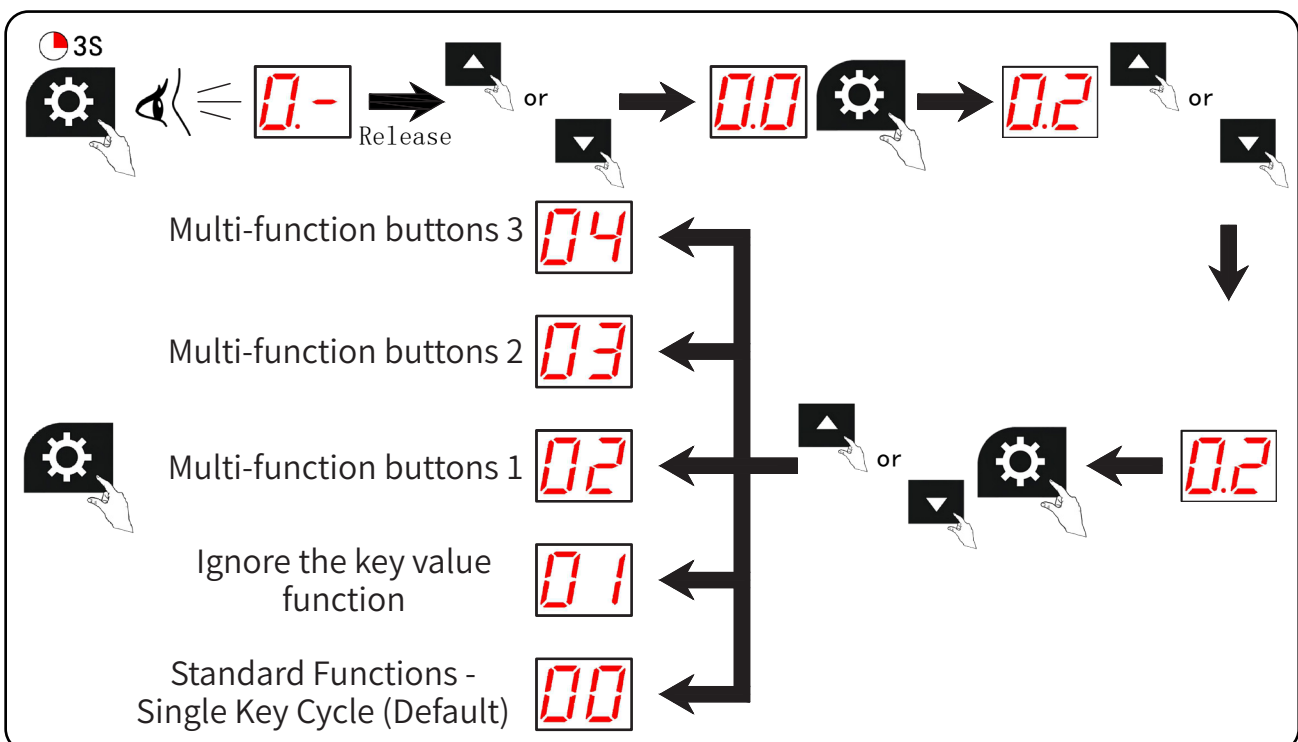
Prior to setting the motor's travel limits, confirm that the motor's opening direction aligns with the door's intended operation direction. This alignment is crucial for accurate travel limit learning.






In case of a mismatch between the motor's opening direction and the door's operation direction, promptly adjust the motor's rotation direction to ensure proper synchronization.



0.2 Remote control function selection

The default capacity for storing remote controls is set to 50. Upon reaching this limit (i.e., 50 remotes learned), attempting to add the 51st remote will automatically overwrite the earliest entry (the 1st remote).

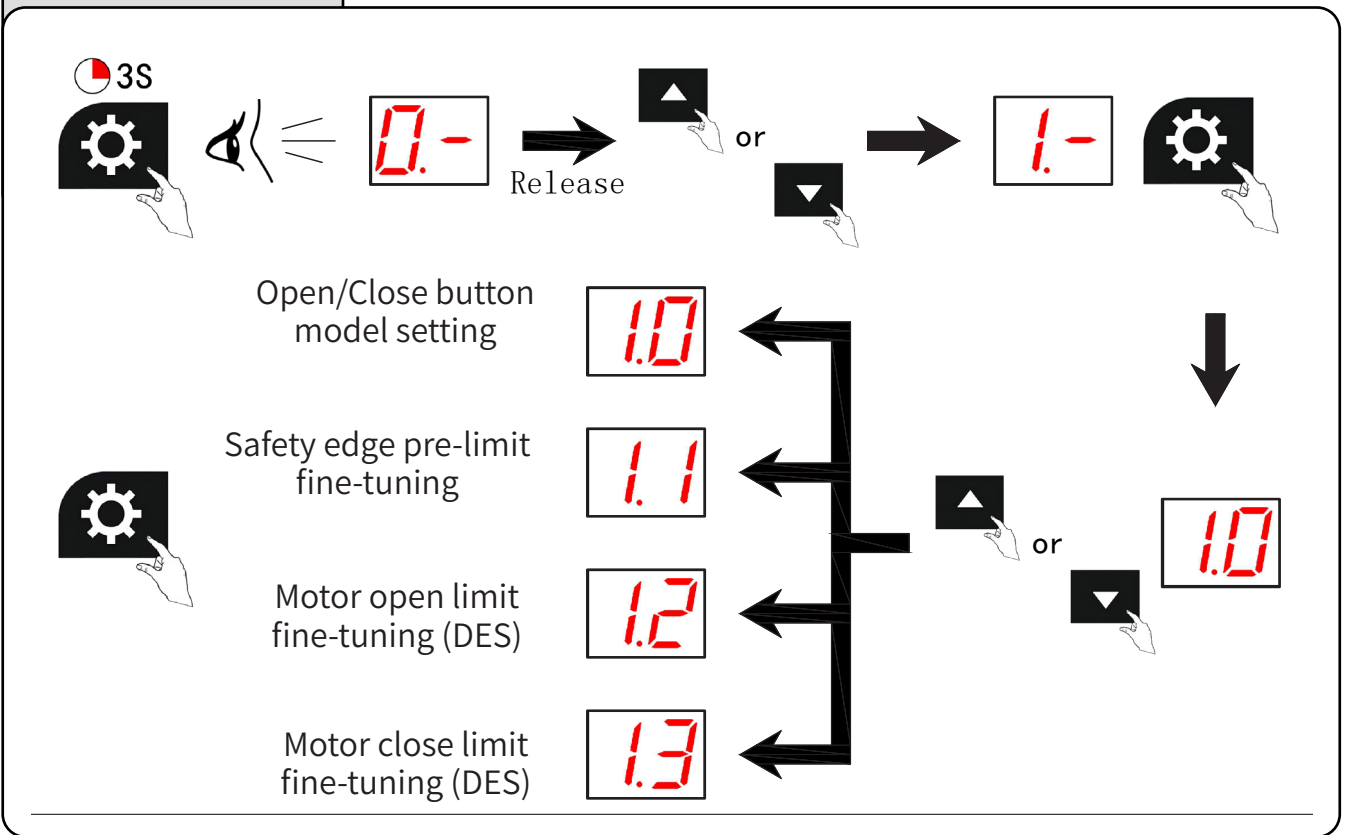


	Standard Functions - Single Key Cycle (Default)
	Ignore the key value function, all keys are valid, open-stop-close-cycle
	Multi-function button 1 : No. 1 key controls the motor on-off cycle; No. 2 partial open function; No. 3 key warning light on and off control; No. 4 key remote lock function;
	Multi-function button 2 : No. 1 to open the door; No. 2 key to stop; No. 3 to close the door; No. 4 key remote lock function;
	Multi-function button 3 : No. 1 to open the door; No. 2 key to stop; No. 3 to close the door; No. 4 key CF function; ("CF" function means that pressing the 4th button will directly open the door without stopping, and it will directly execute the door opening action when closing the door)

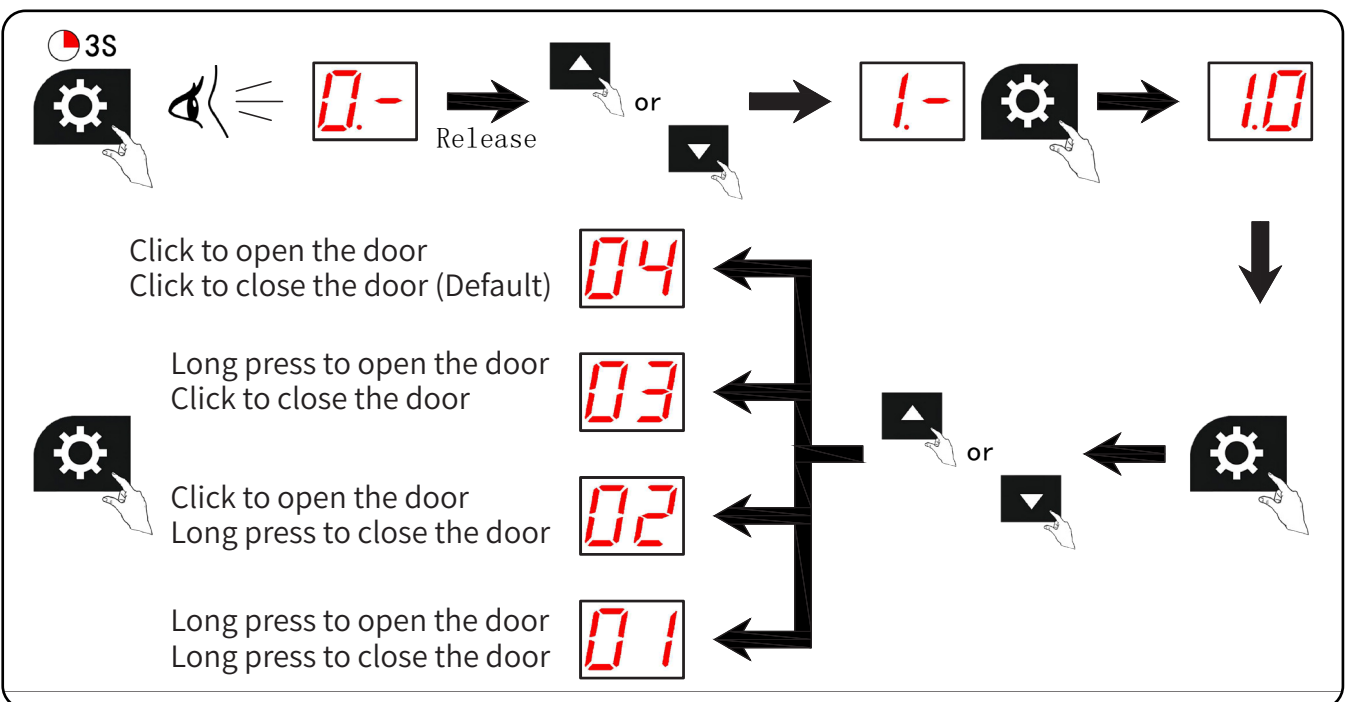


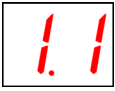
Menu 1: Motor common function setting

Function Guide



Open/Close button mode setting

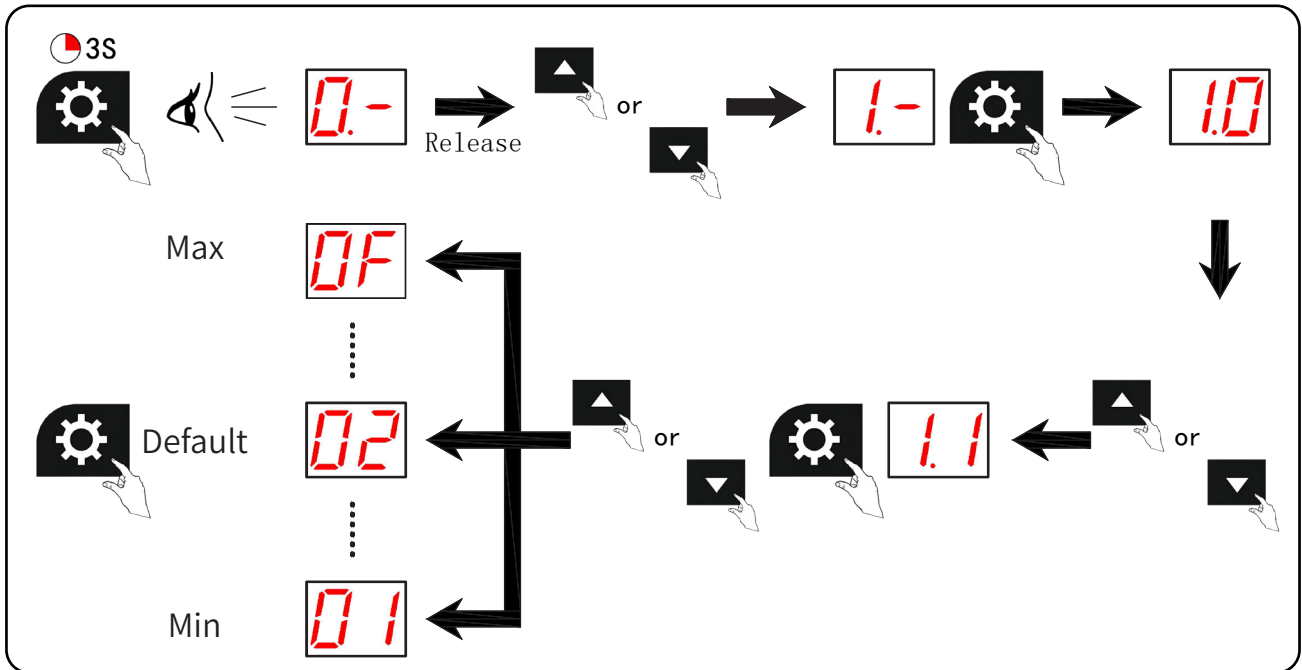




Safety edge pre-limit fine-tuning

Adjust the parameter by increments of 2-5mm each time, taking into account the size of the door rail system and the tower wheel. This adjustment should be tailored to the actual door conditions.

① Within the zone beneath the pre-set safety edge position, either the safety edge itself or the infrared-triggered motor will initiate the stopping action.

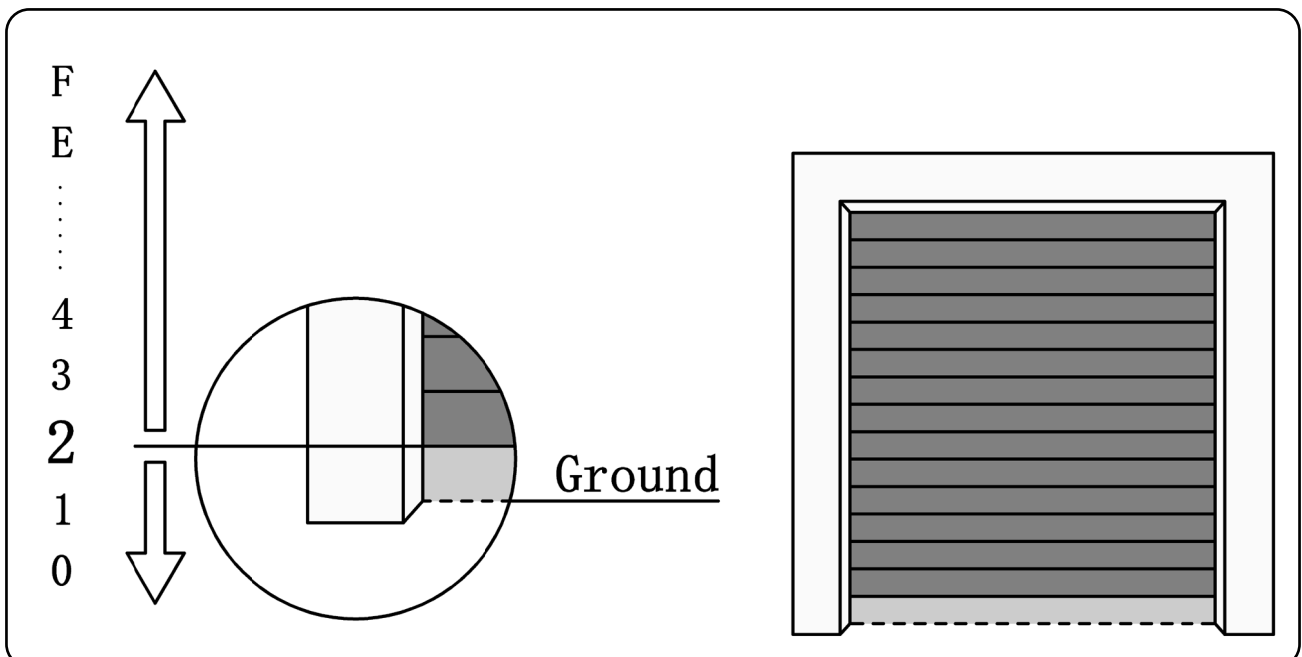


Considering an 18-inch flat wheel (approximately 150mm diameter, or 5cm wide):

Function Clarification:

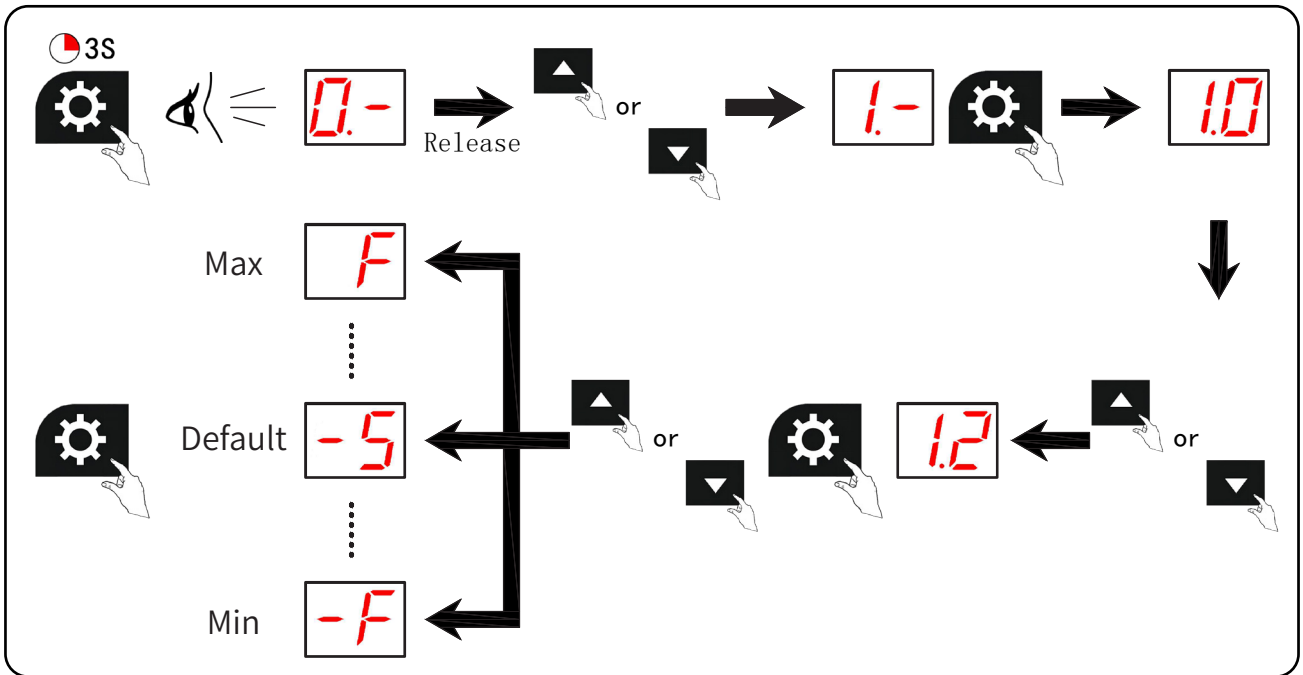
In the specified area, upon obstruction of the safety edge or infrared sensor, the motor halts its operation immediately without reversing.

When the DW (Dynamic Weighing or equivalent) function with the safety edge is concurrently engaged, this location serves as the initiation point for the DW function's self-test.



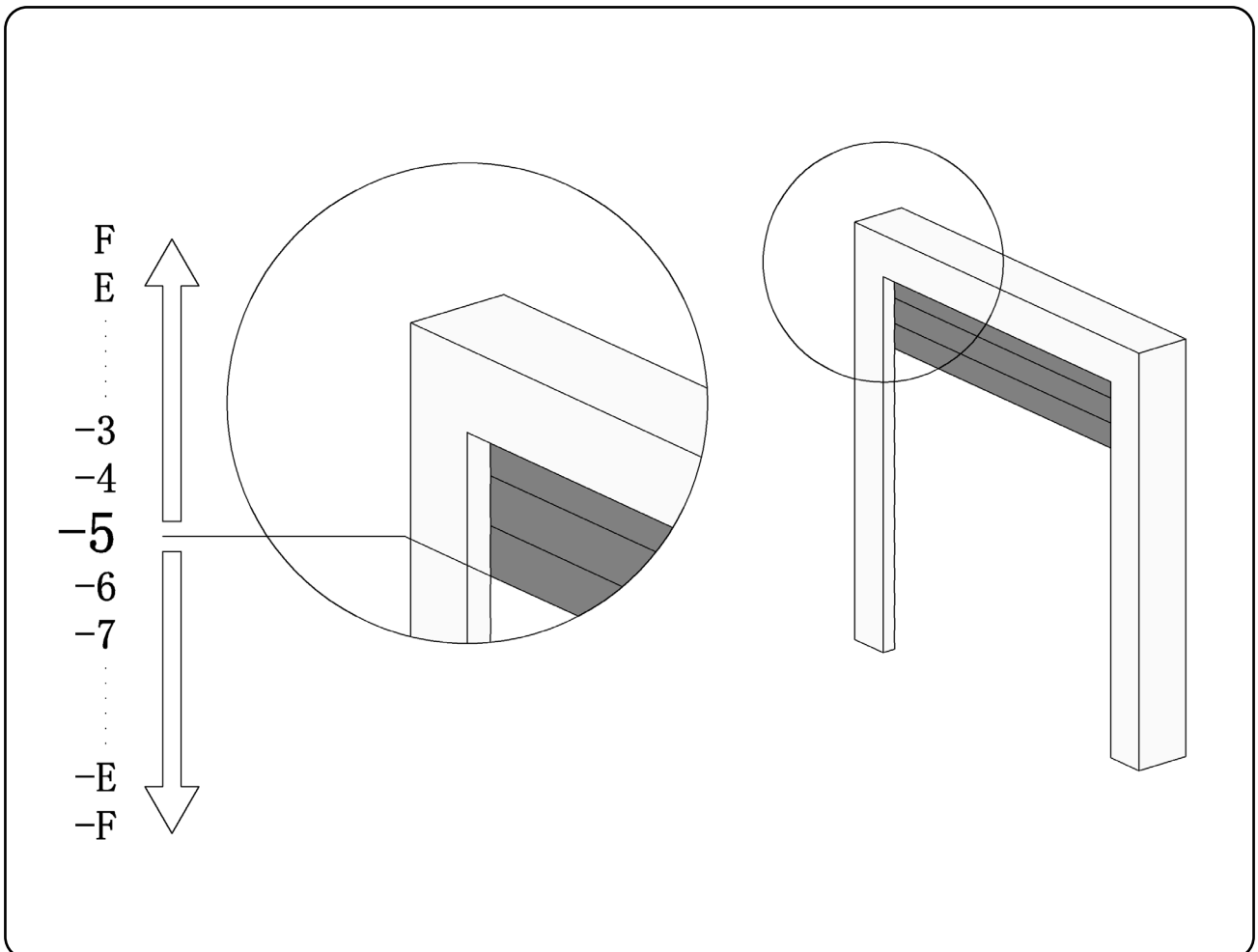


Motor open limit fine-tuning



Function description:

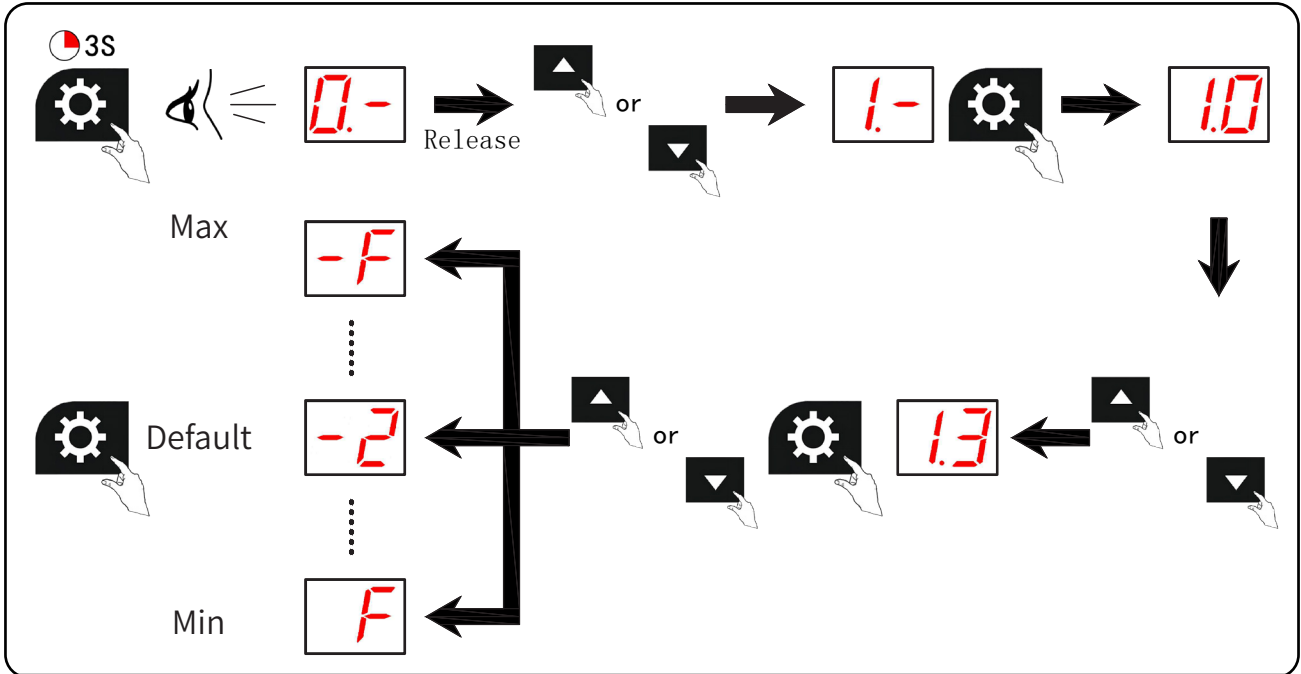
This function fine-tunes the open limit of the motor.



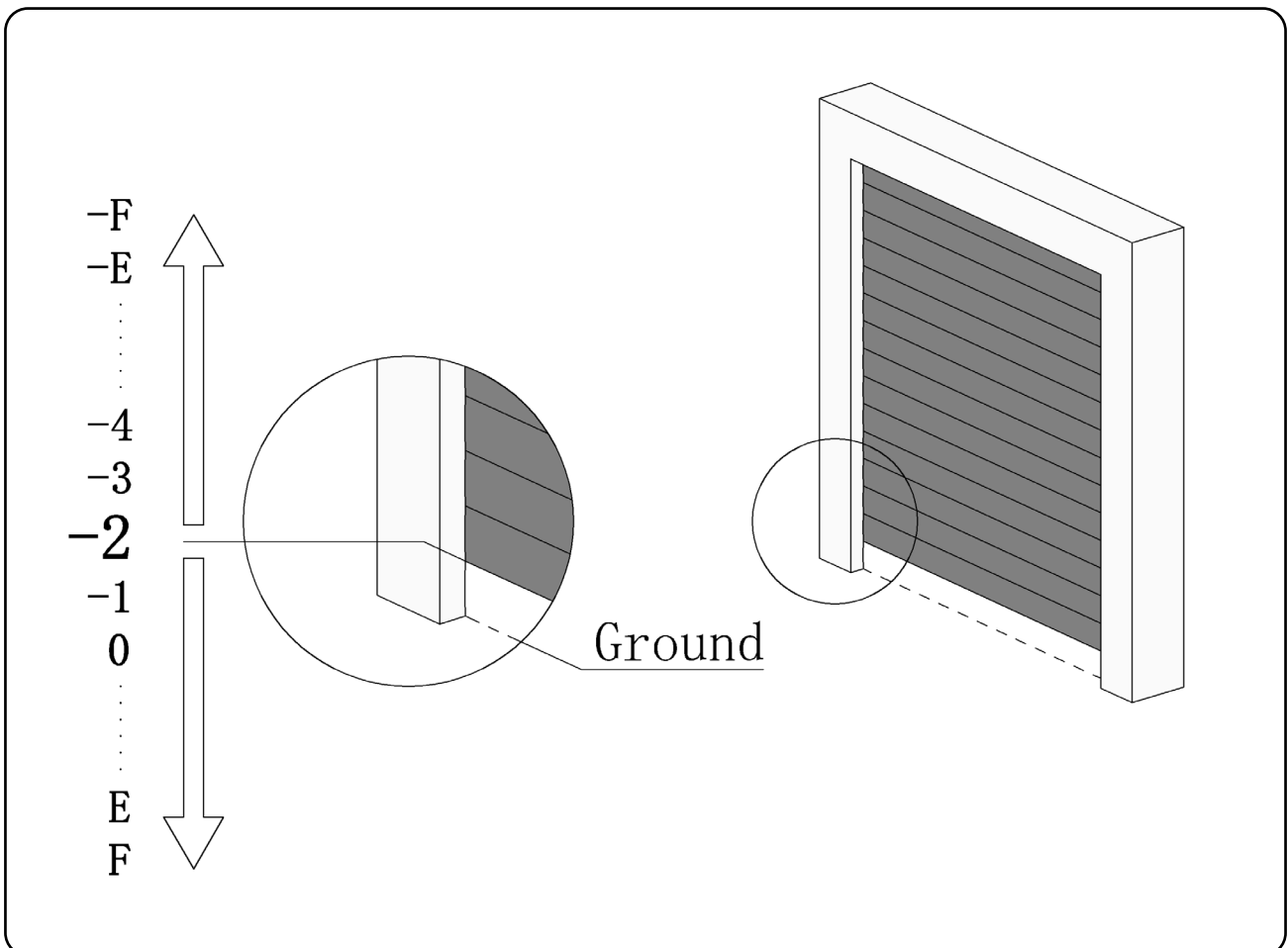


Motor close limit fine-tuning

① If the close limit fine-tuning setting exceeds the ground position, it is easy to cause the wire rope to loosen. Please adjust according to the actual situation.



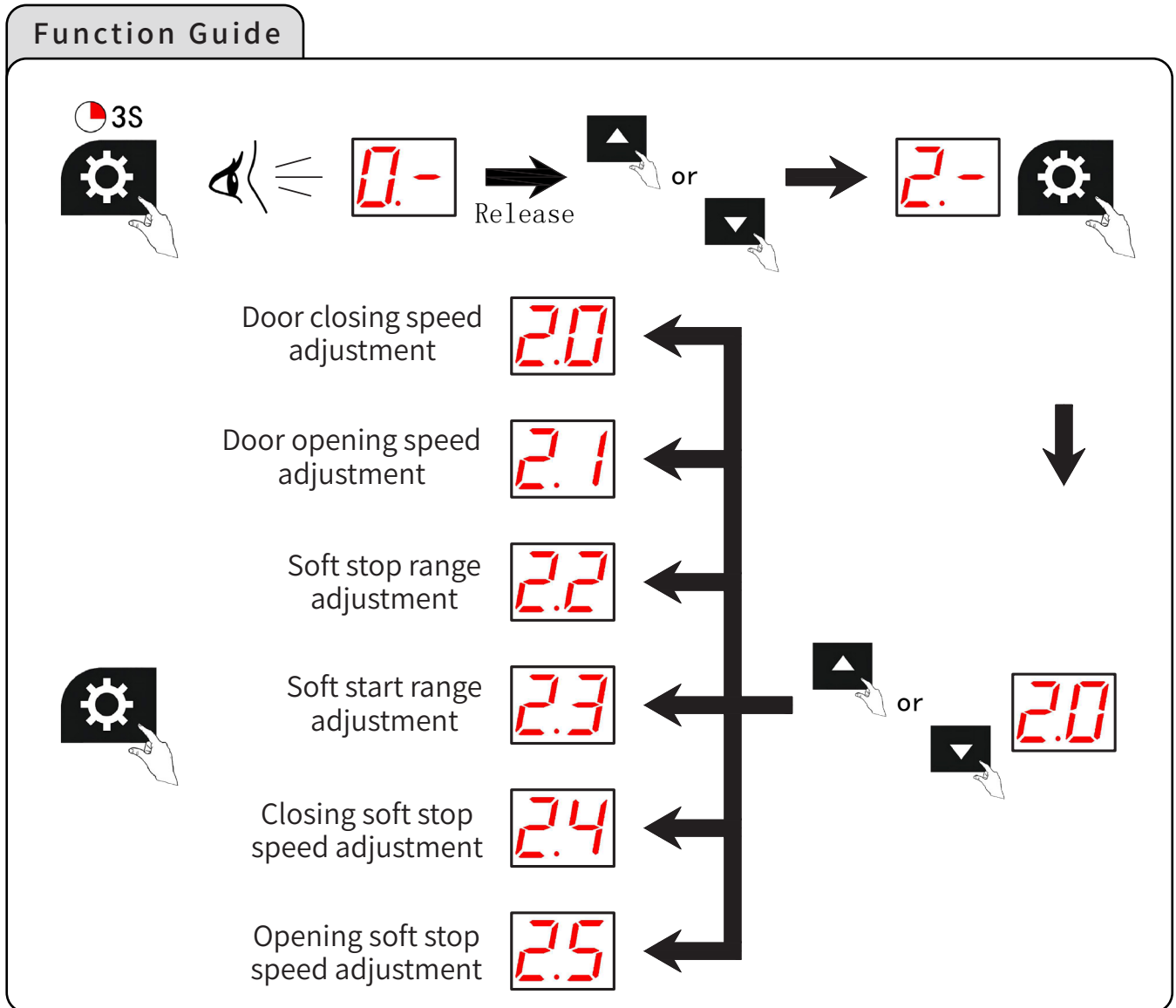
Function description: This function fine-tunes the close limit of motor.





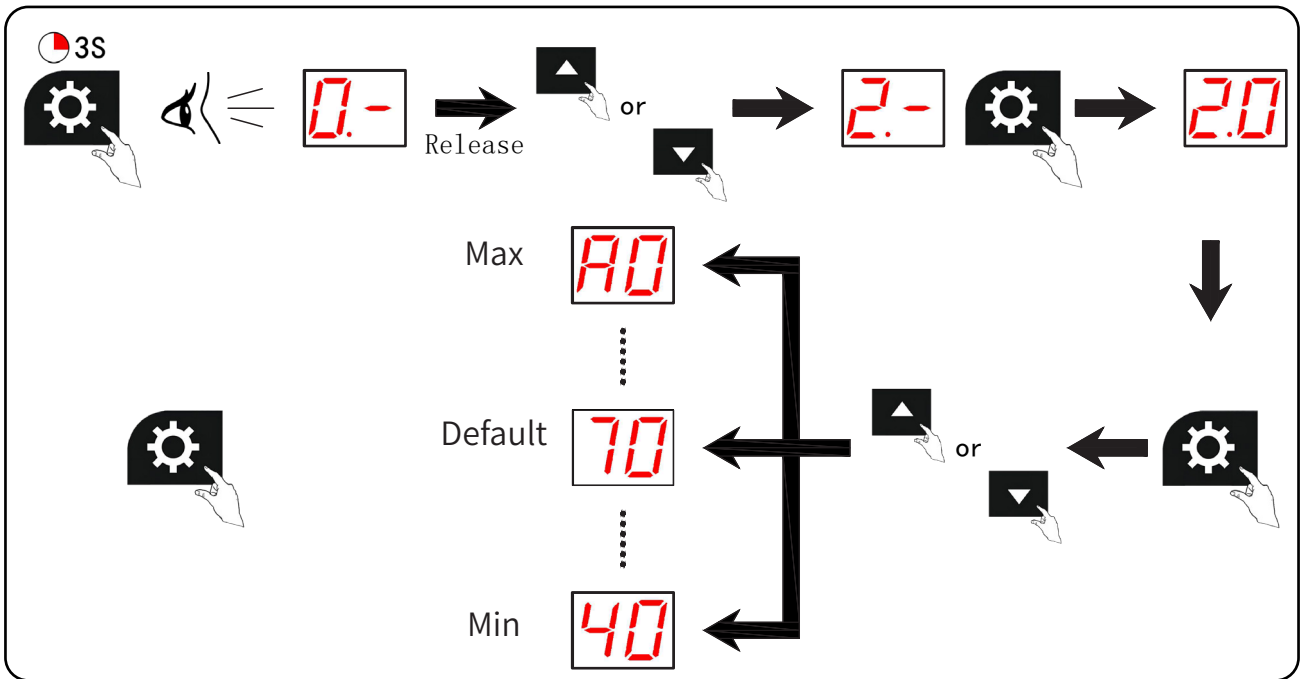
Menu 2: Motor running parameter setting

ⓘ This function is only applicable to inverter drive with DES electronic limit mode.



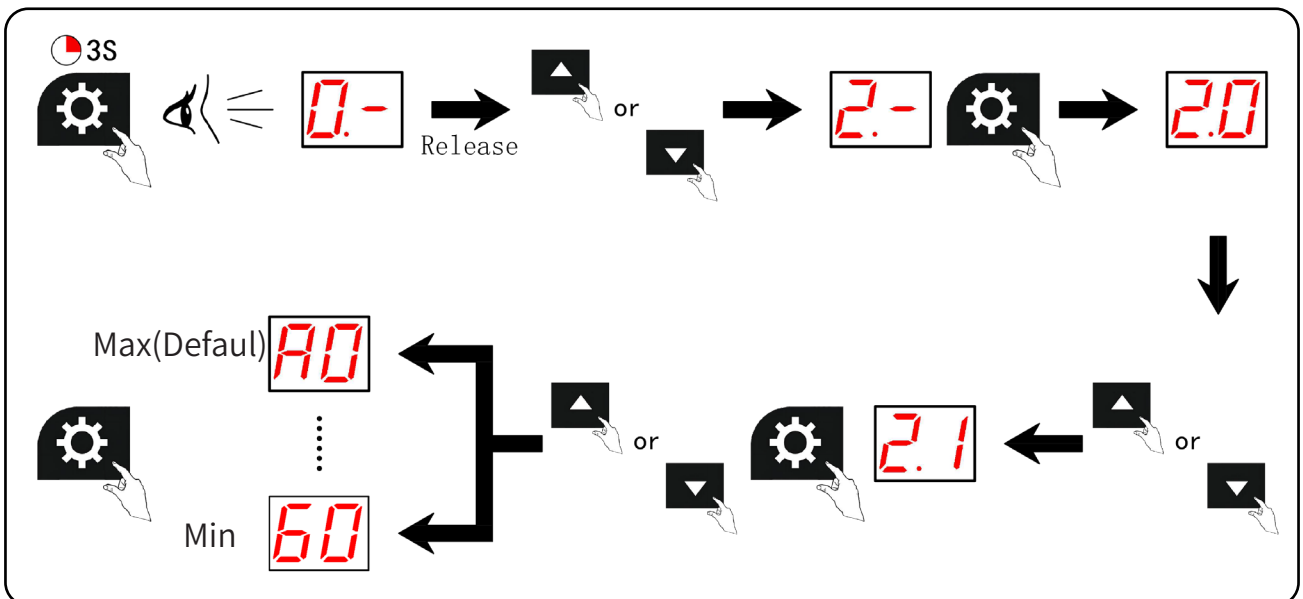
2.0 Door closing speed adjustment

① When the door closing speed is set to be lower than the closing soft end speed specified in the 2.4 menu, the motor will automatically adjust the 2.4 soft end speed to match the 2.0 door closing speed setting.



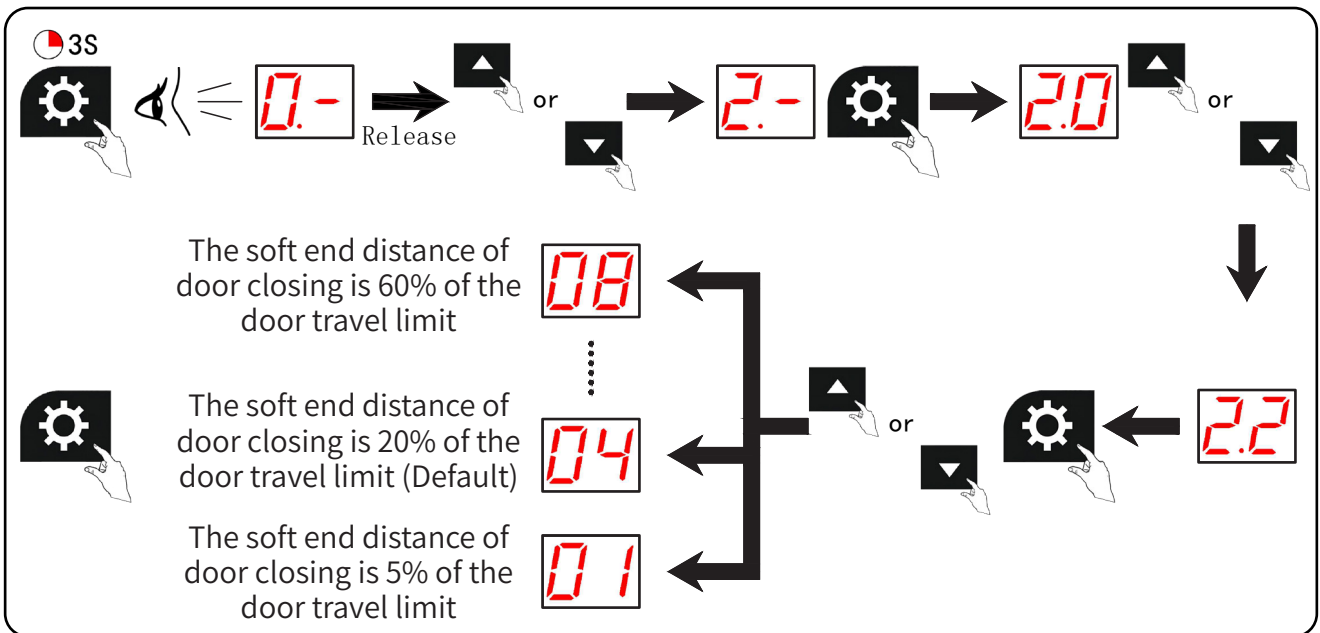
2.1 Door opening speed adjustment

① When the door opening speed is set to be lower than the opening soft end speed specified in the 2.5 menu, the motor will automatically adjust the 2.5 soft end speed to match the 2.1 door opening speed setting.



2.2

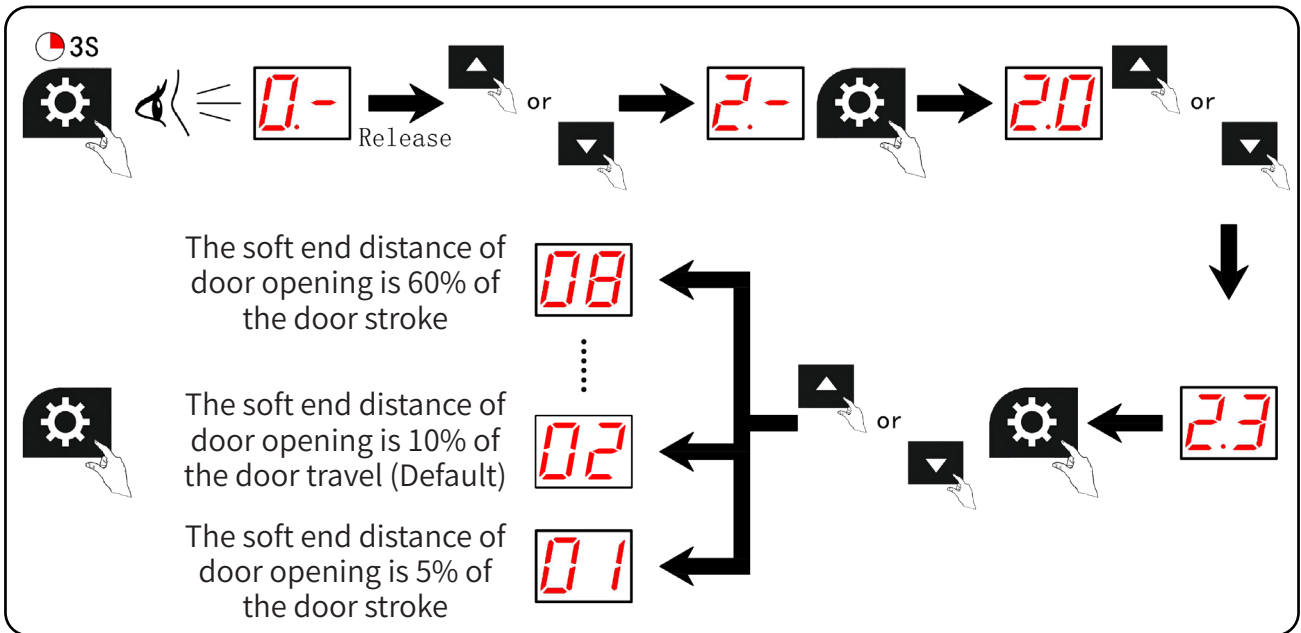
Soft stop range adjustment



	The soft end distance of the door closing is 5% of the door travel
	The soft end distance of the door closing is 10% of the door travel
	The soft end distance of the door closing is 15% of the door travel
	The soft end distance of the door closing is 20% of the door travel(Default)
	The soft end distance of the door closing is 30% of the door travel
	The soft end distance of the door closing is 40% of the door travel
	The soft end distance of the door closing is 50% of the door travel
	The soft end distance of the door closing is 60% of the door travel

2.3

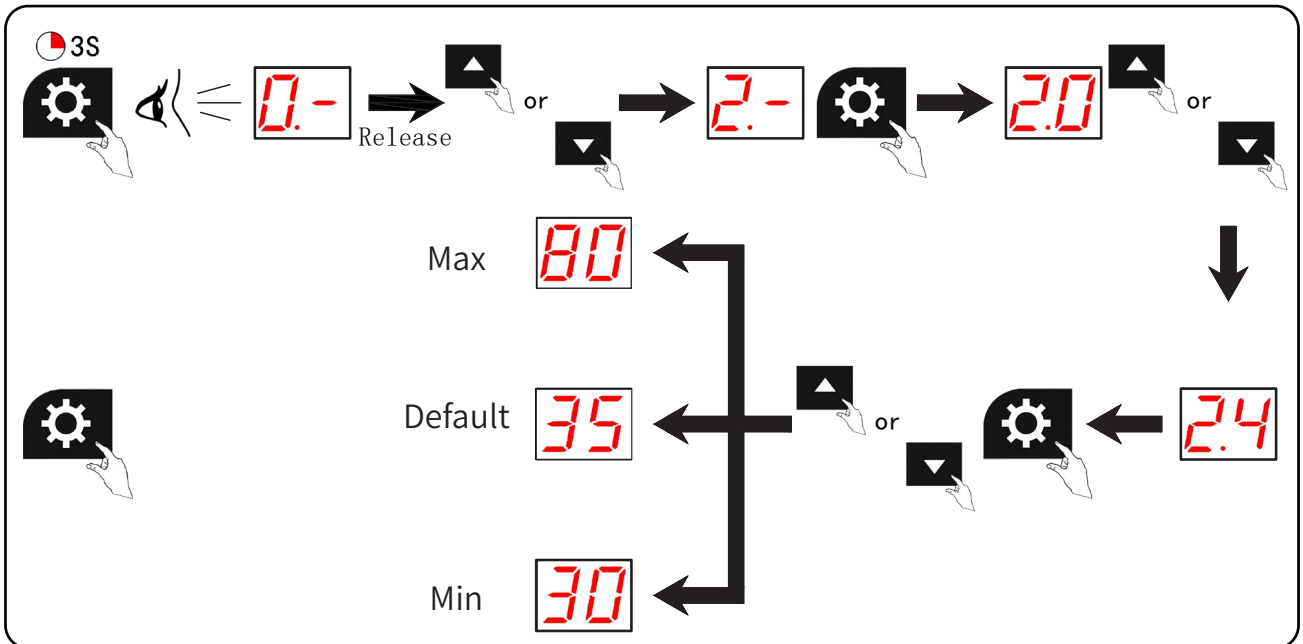
Soft start range adjustment



	The soft end distance of the door opening is 5% of the door travel
	The soft end distance of the door opening is 10% of the door travel(Default)
	The soft end distance of the door opening is 15% of the door travel
	The soft end distance of the door opening is 20% of the door travel
	The soft end distance of the door opening is 30% of the door travel
	The soft end distance of the door opening is 40% of the door travel
	The soft end distance of the door opening is 50% of the door travel
	The soft end distance of the door opening is 60% of the door travel

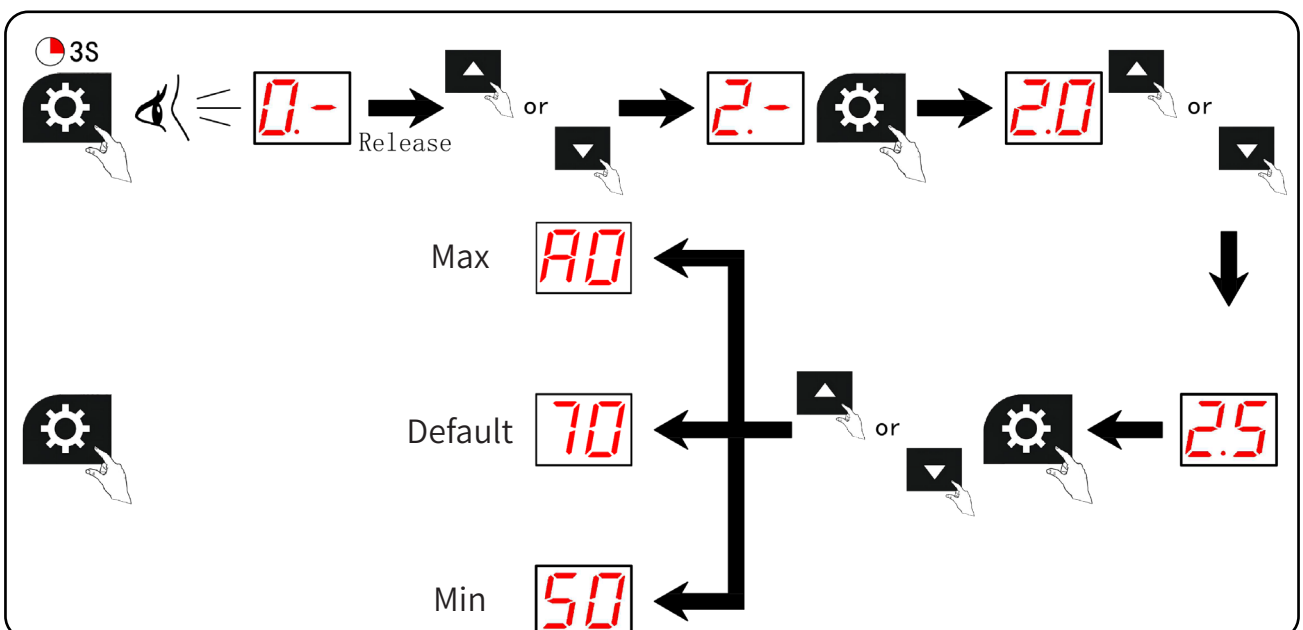
2.4 Closing soft stop speed adjustment

① When the closing soft end speed is set higher than the 2.0 closing speed, it will be auto-adjusted to match the 2.0 setting for door closing speed.



2.5 Opening soft stop speed adjustment

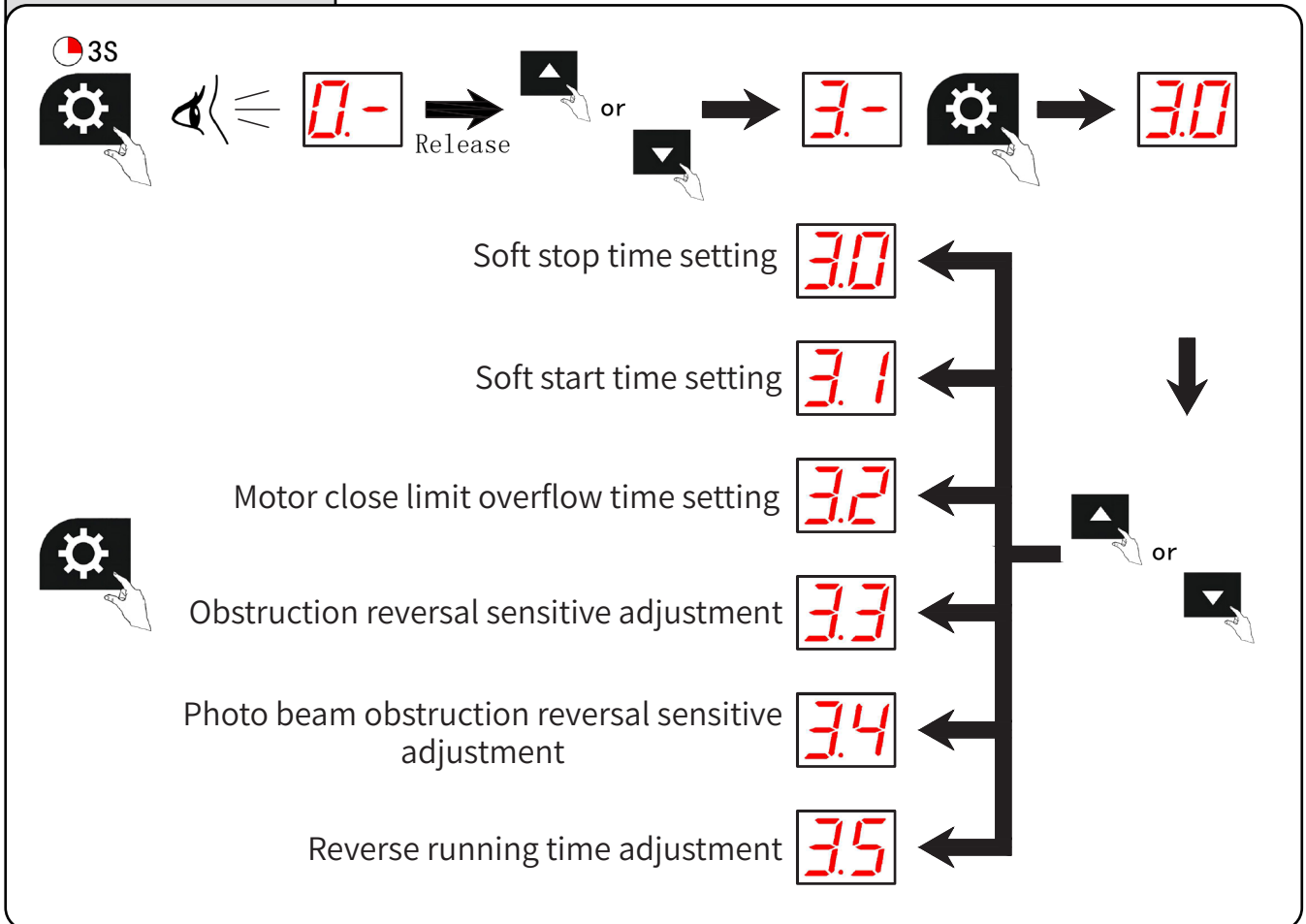
When the opening soft end speed is set higher than the 2.1 opening speed, it will be auto-adjusted to match the 2.1 setting for door opening speed.





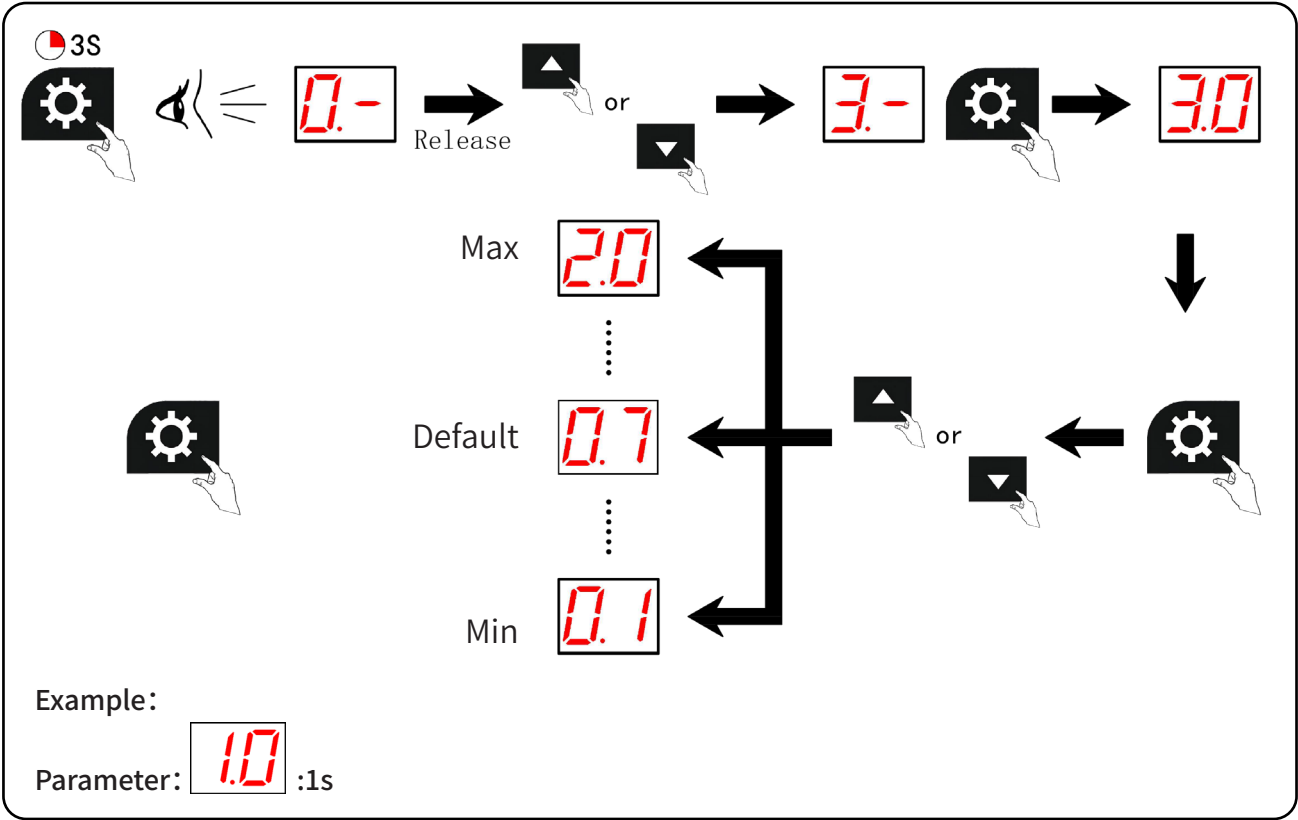
Menu 3: Motor parameter time setting

Function Guide

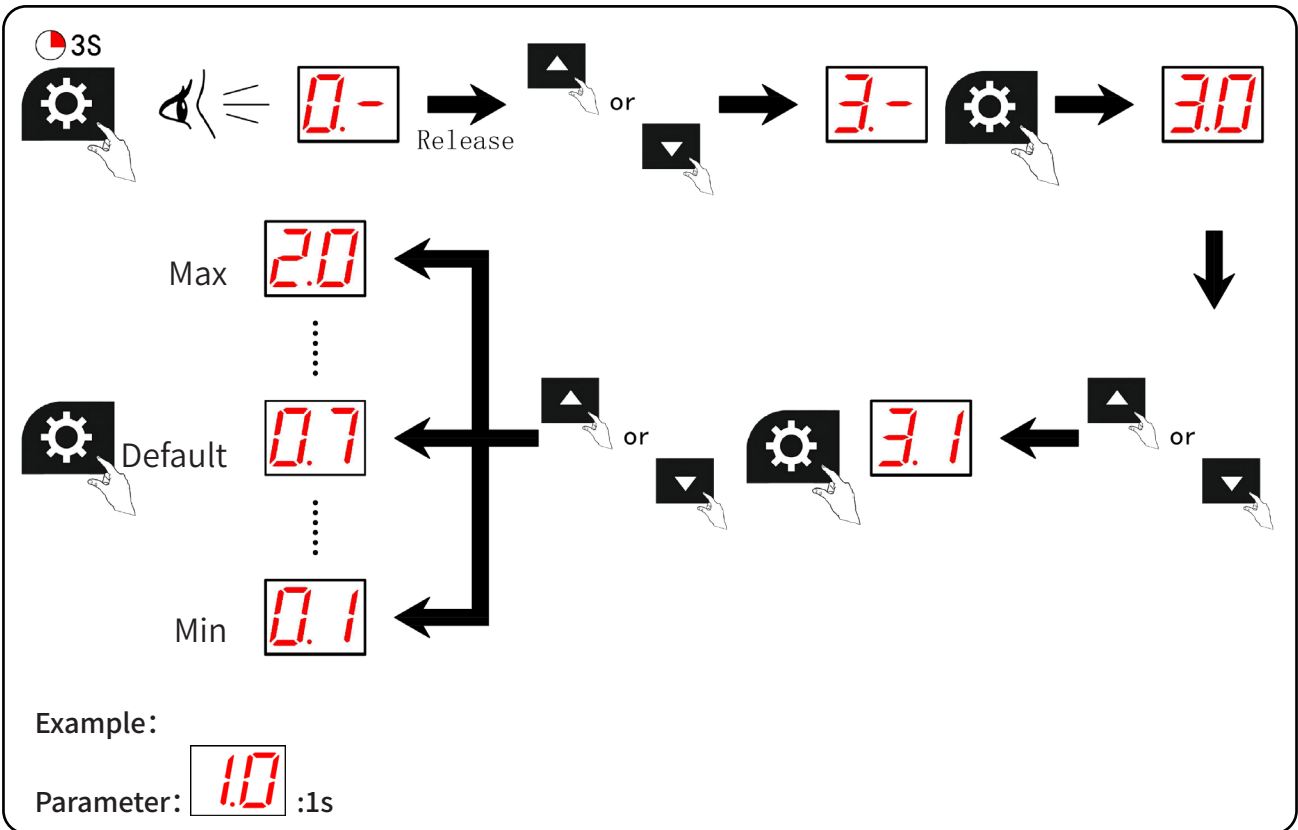


Soft stop time setting

① The slow stop time during motor operation sets the duration outside the soft stop zone to lessen impact on the door and motor.



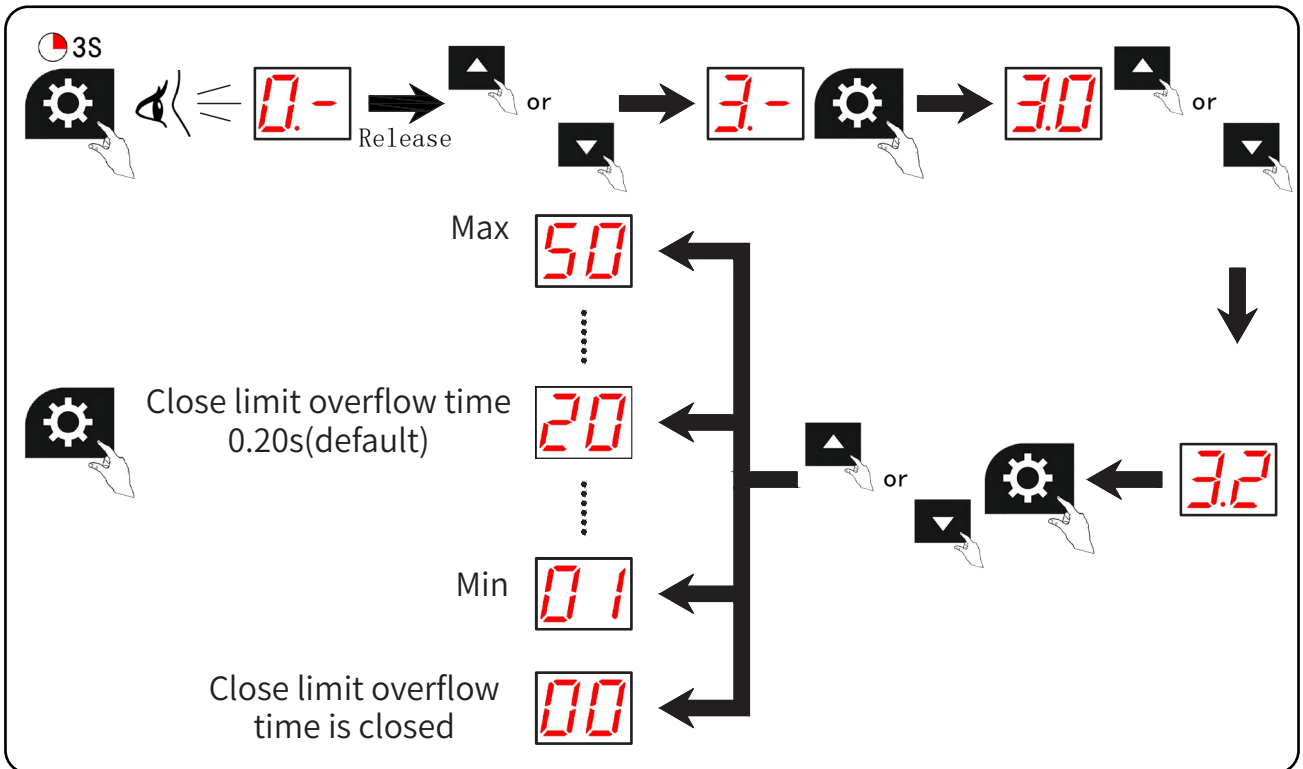
3.1 Soft start time setting



3.2

Motor close limit overflow time setting

- ① If using DW air switch as the safety edge, enable overflow time to avoid DW self-test failure.
- ① During overflow, motor checks safety edge & stops if triggered.
- ① Adjust lower limit overflow based on door condition to ensure full closure. If DW self-test fails with door closed, adjust overflow as needed.

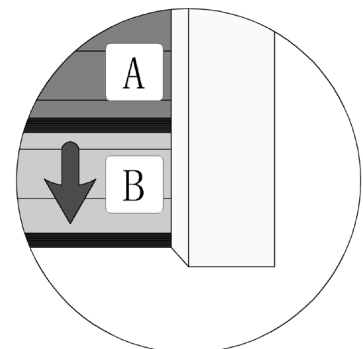
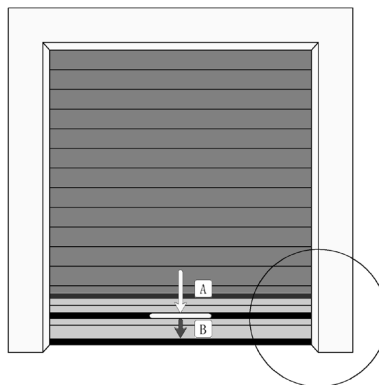


Example:

Parameter: **20**:0.20s

Graphical description (right picture):

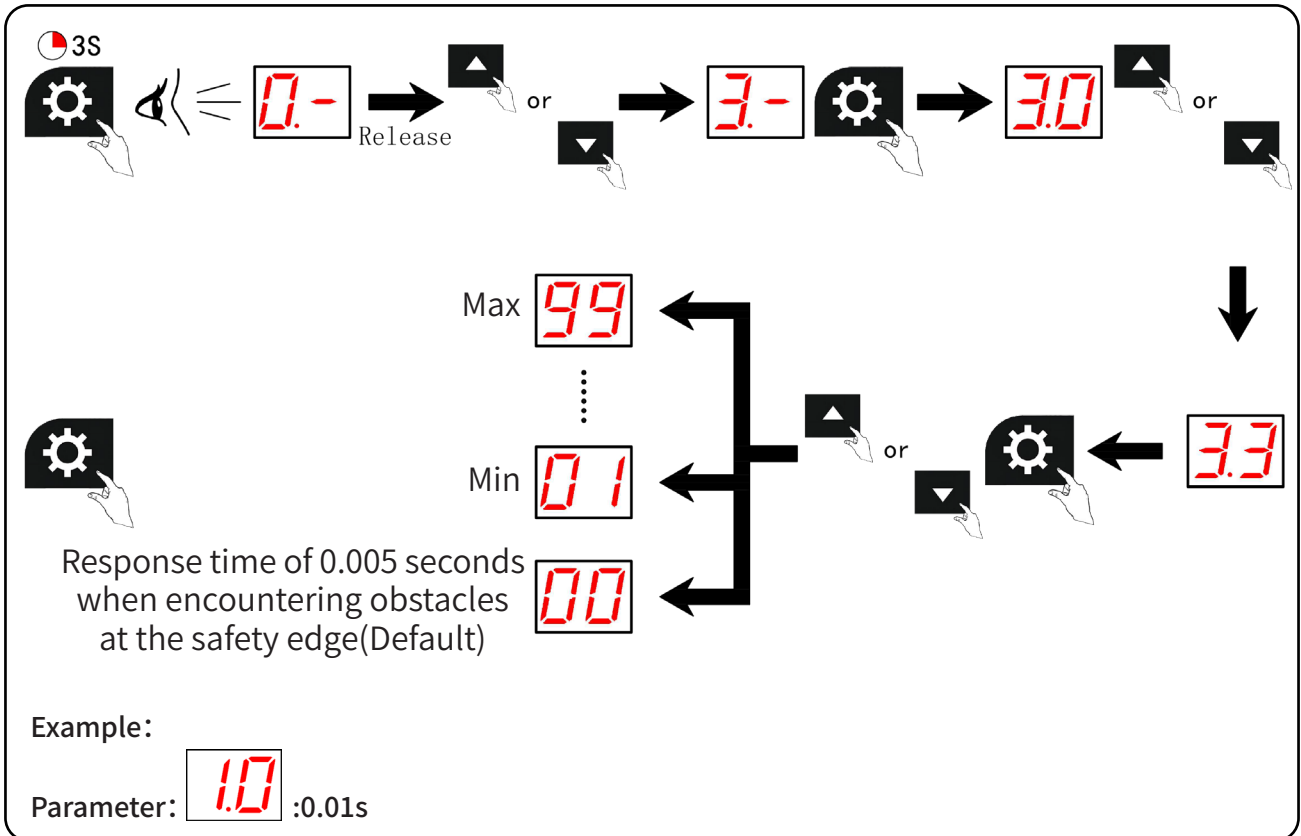
A: The set close limit position
B: The location after setting the overflow time



3.3

Obstruction reversal sensitive adjustment

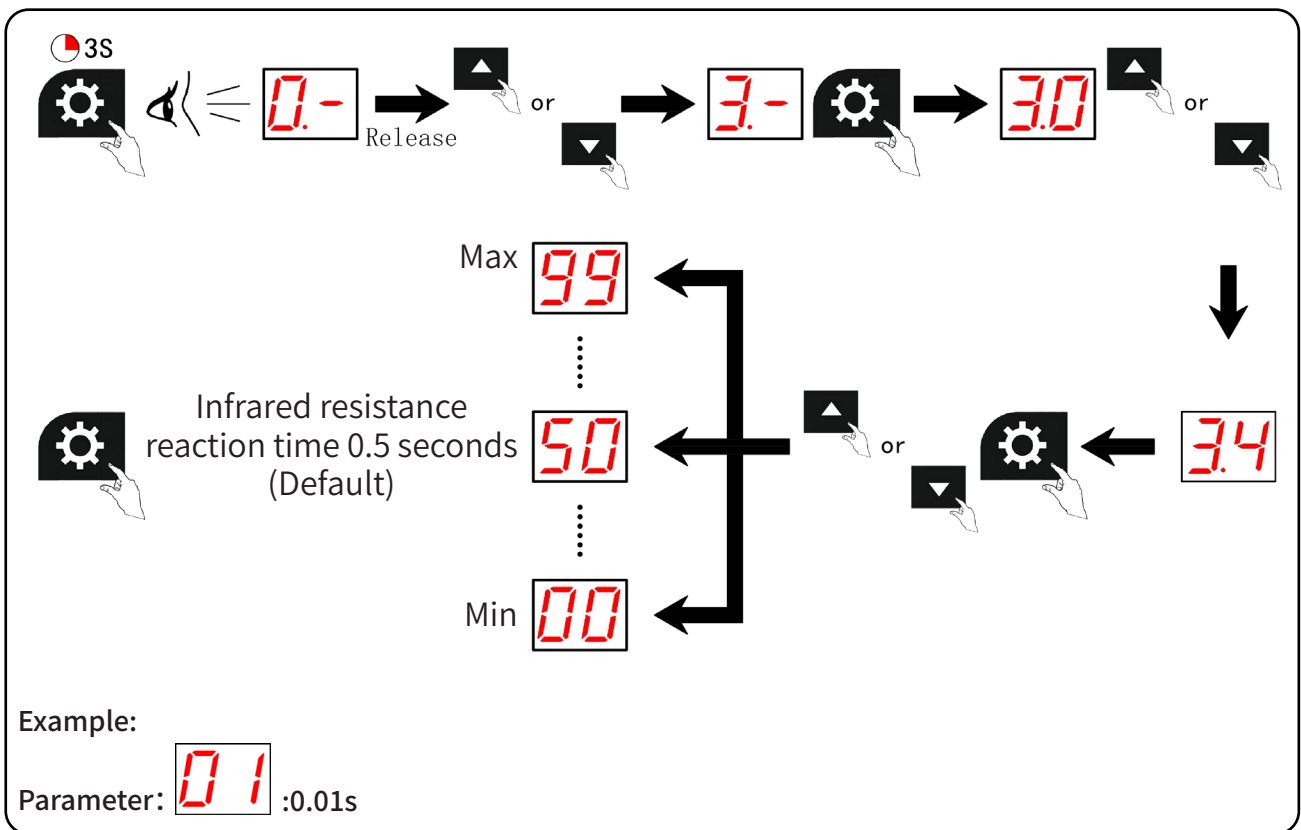
- ① The safety edge reaction time is the time between the reversing of the control door after the door detects an obstacle.
- ① The time setting range of this parameter is : 0.01 seconds -0.99 seconds.



3.4

Photo beam obstruction reversal sensitive adjustment

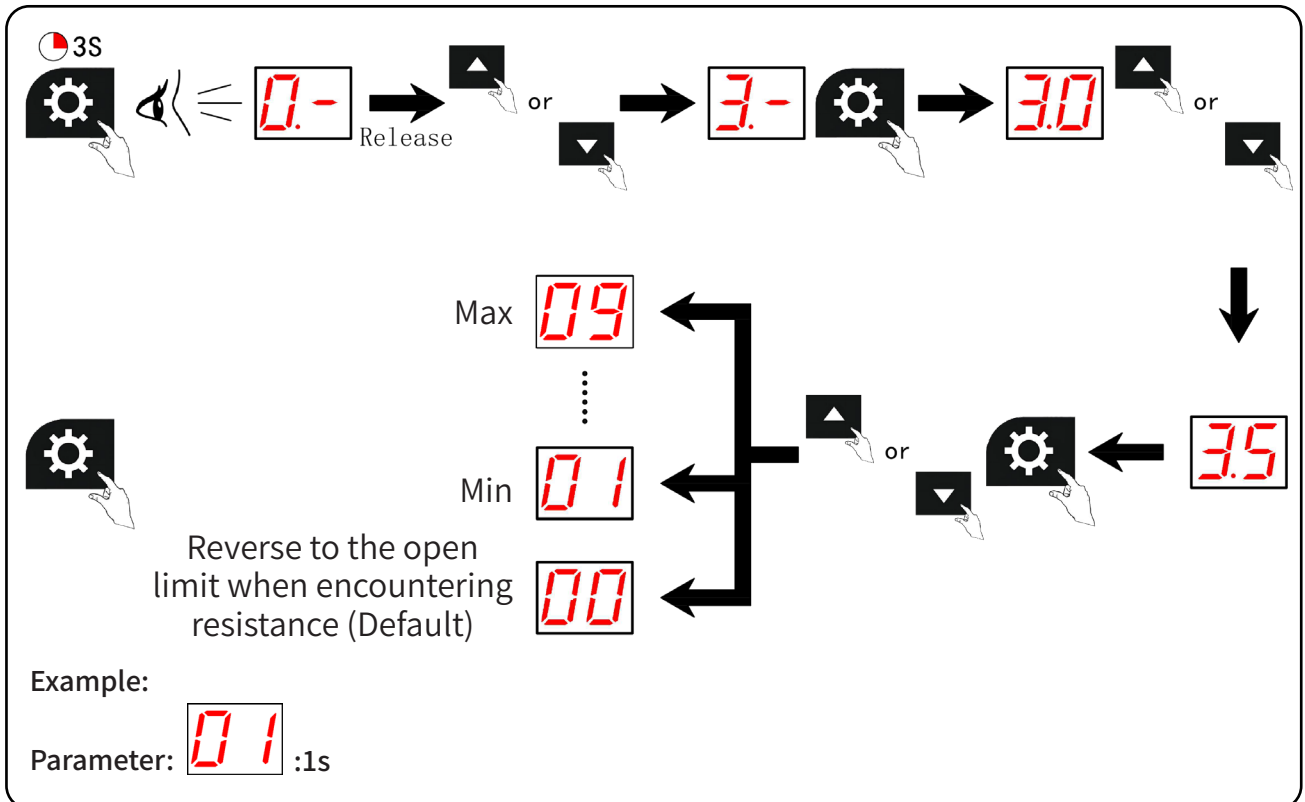
- i The time setting range of this parameter is : 0.01 seconds-0.99 seconds.
- i According to the actual situation of the door body or the needs of the scene, the reaction time of the safety edge is adjusted.



3.5

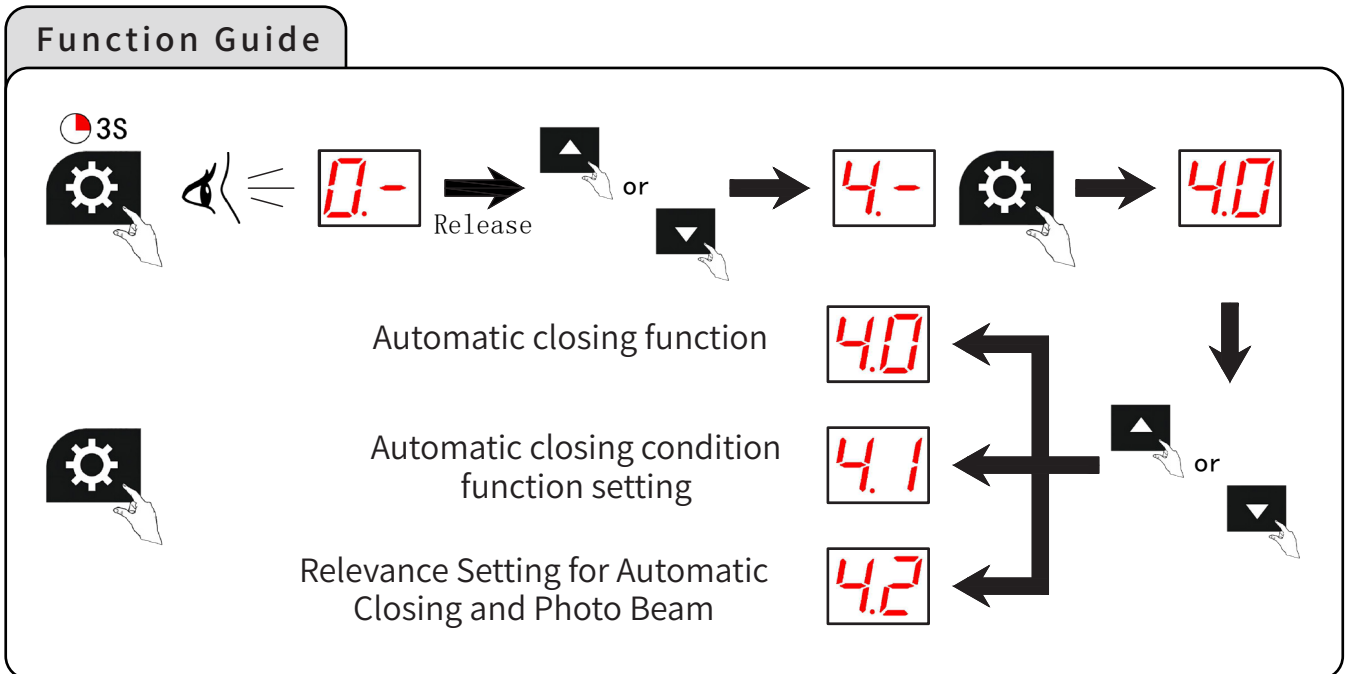
Reverse running time adjustment

- ① Reversal time for resistance is motor's run time to open door opposite after safety trigger during close.
- ① Range: 1-9 seconds (stops at open limit if not reached).
- ① Adjust safety edge response based on door or scene needs



4.-

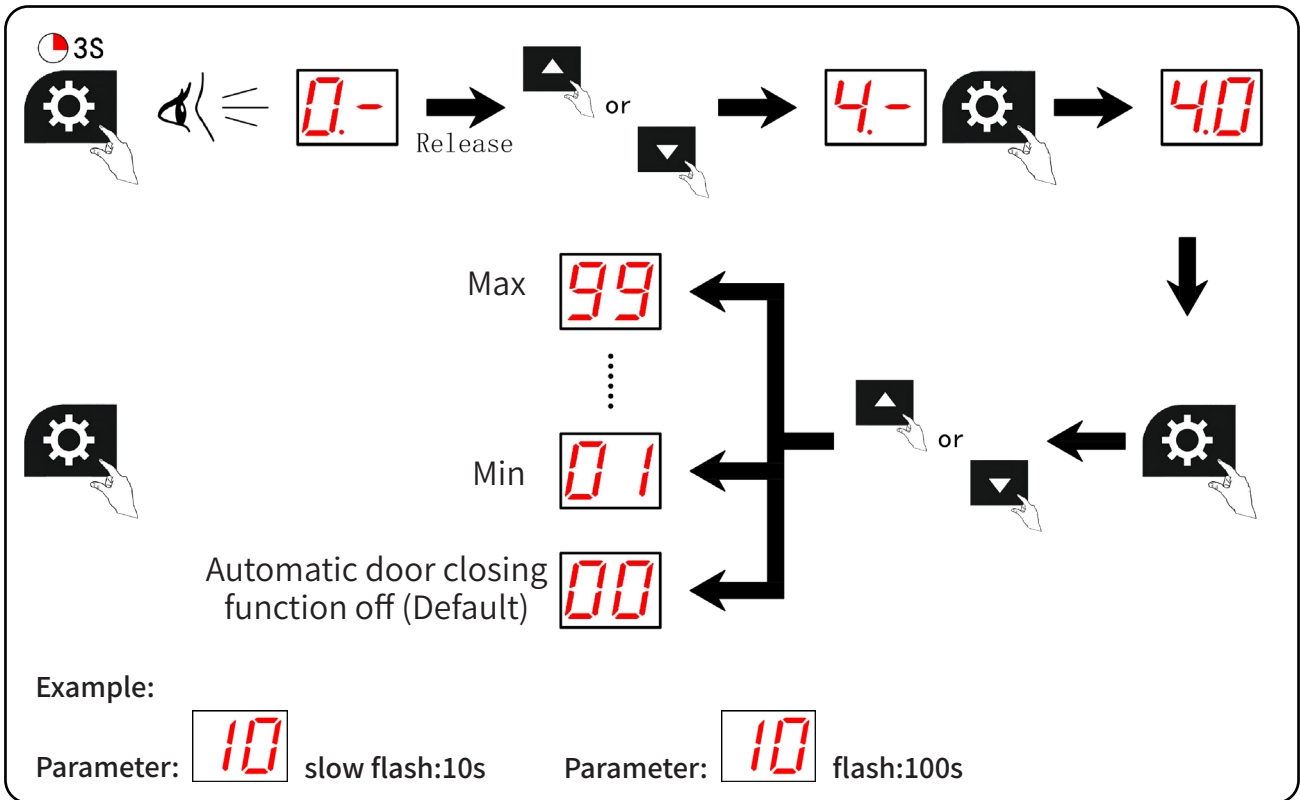
Menu 4: Automatic door closing function setting



4.0

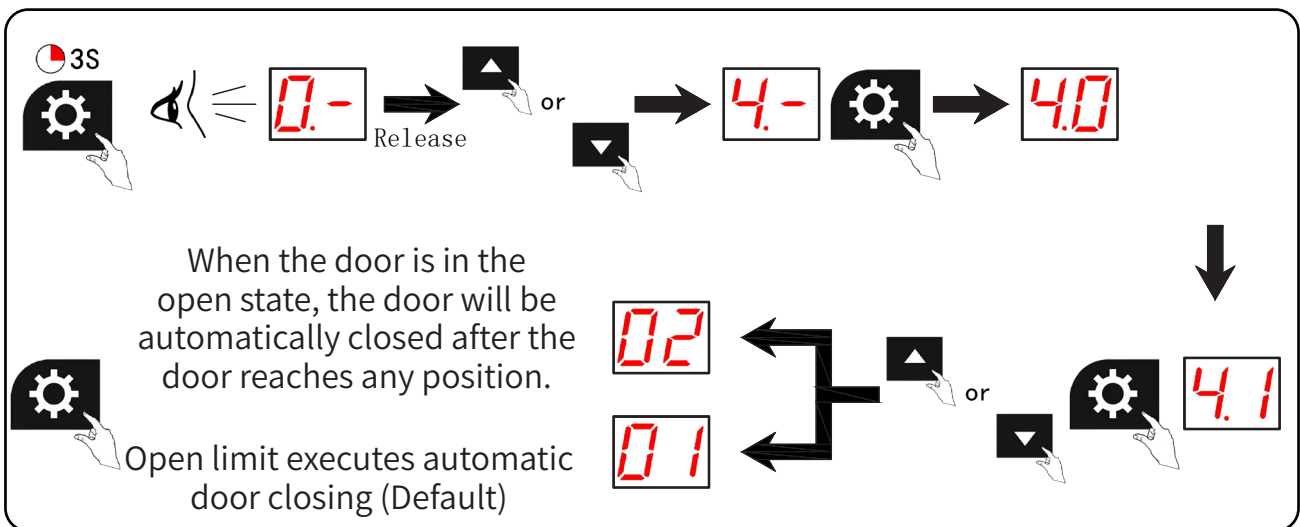
Automatic closing function

- ① The time setting range of this parameter is : 1 second - 990 seconds.
- ① Press the + button to set the parameter per second to flash slowly 1-99, and when the + button exceeds 99, the parameter resets to flash 1-99 quickly, and each parameter is 1*10 seconds at this time.



4.1 Automatic closing condition function setting

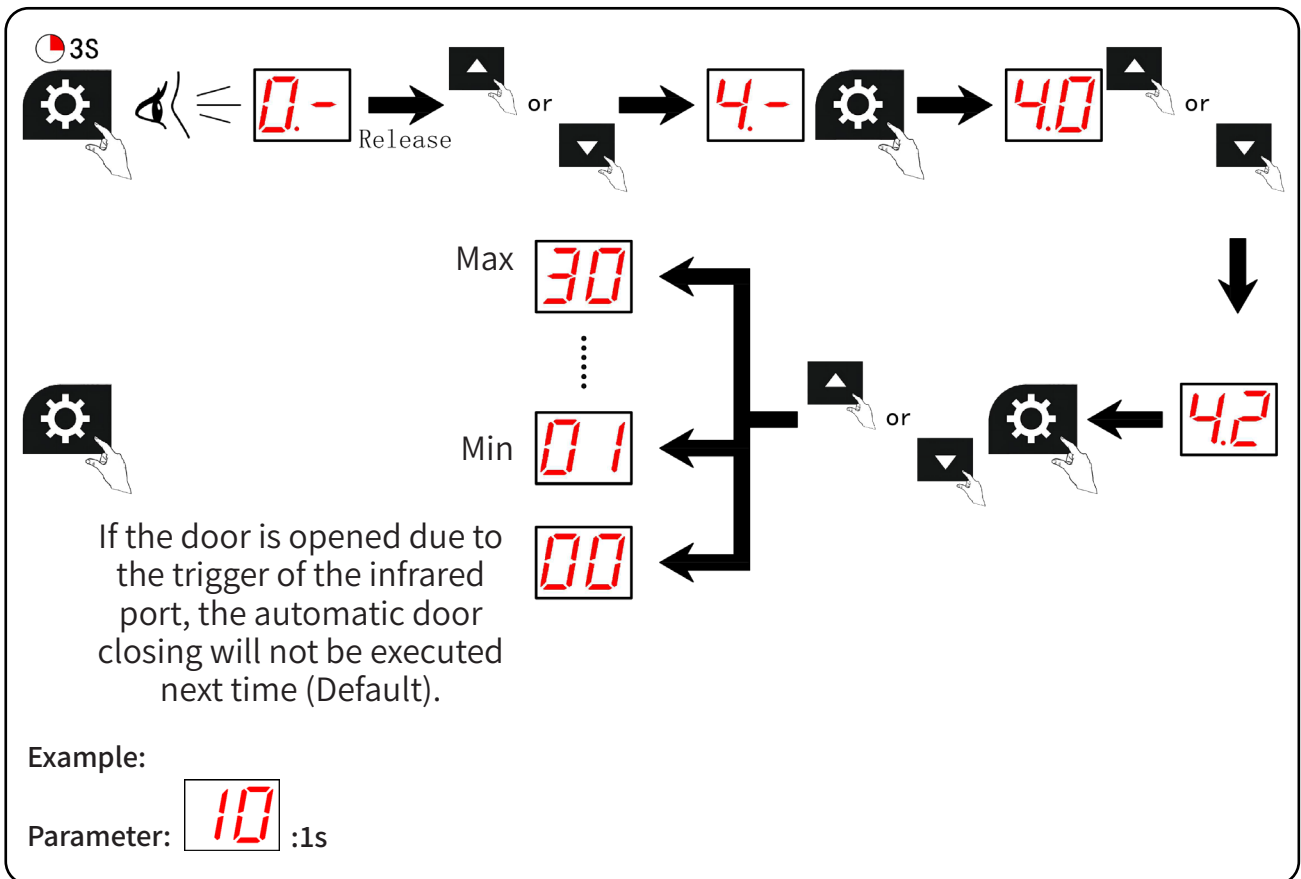
① The automatic door closing condition is only used with the 4.0 automatic door closing function.



4.2

Relevance setting for automatic closing and photo beam

- ① The automatic door closing and PE function association is only compatible with the infrared feature in menu 5.
- ① Default Setting: **00** An infrared-initiated door opening will not trigger automatic door closure during the current cycle. Automatic closing will resume in the subsequent cycle following a normal door opening (infrared-initiated openings bypass automatic closure).
- ① Once timing is configured, the door will continue to close automatically upon infrared activation. The automatic closure timer resets after infrared activation. The adjustable range is from 0.1 to 3 seconds.



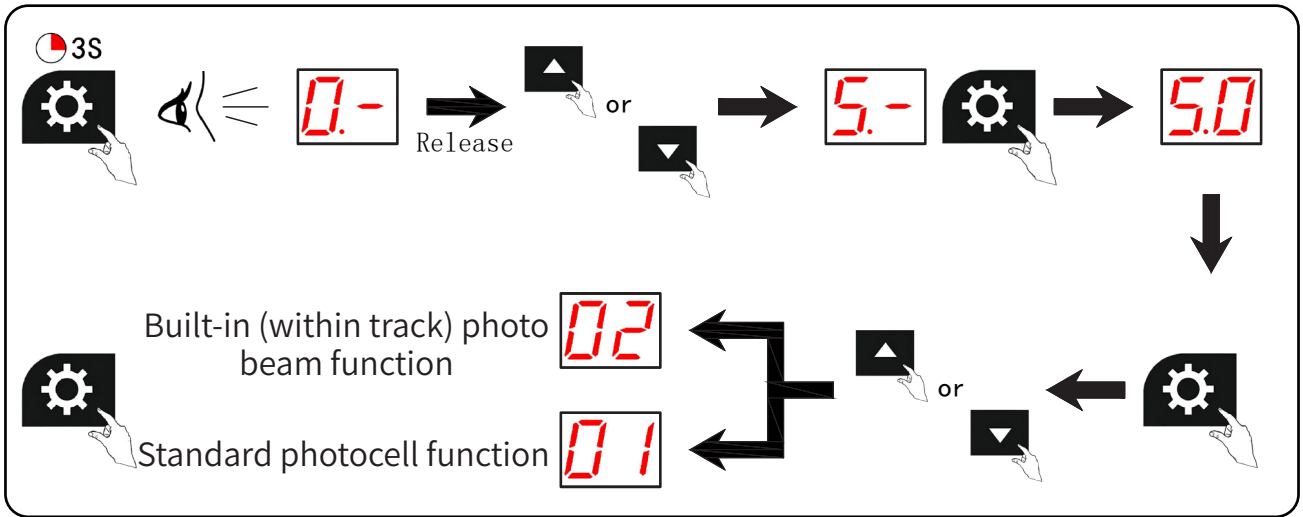


Menu 5: Photo beam function



PE port function setting

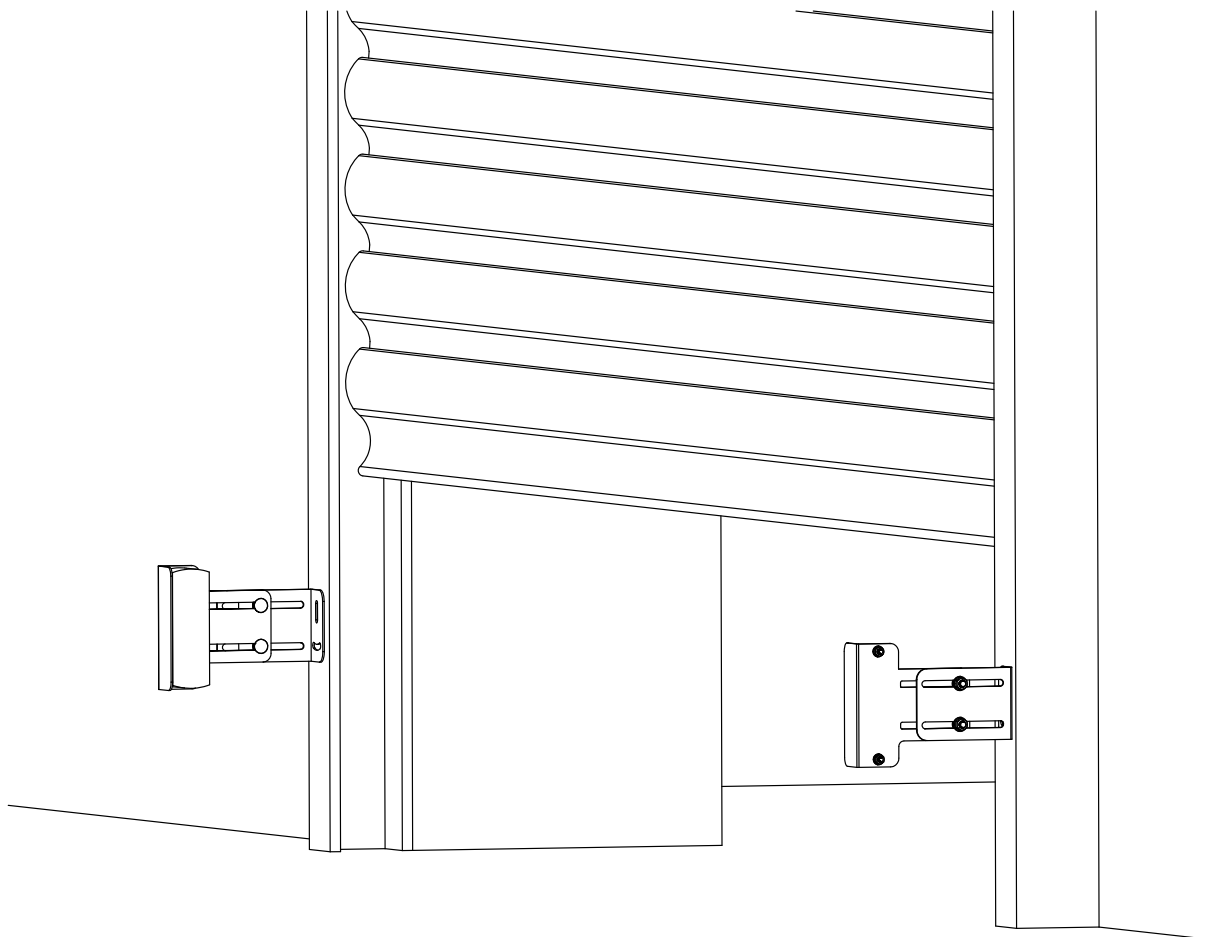
① Connection Description: PE-GND port





Standard photo beam function

- ① Before using this function, the infrared device needs to be installed on both sides of the door.

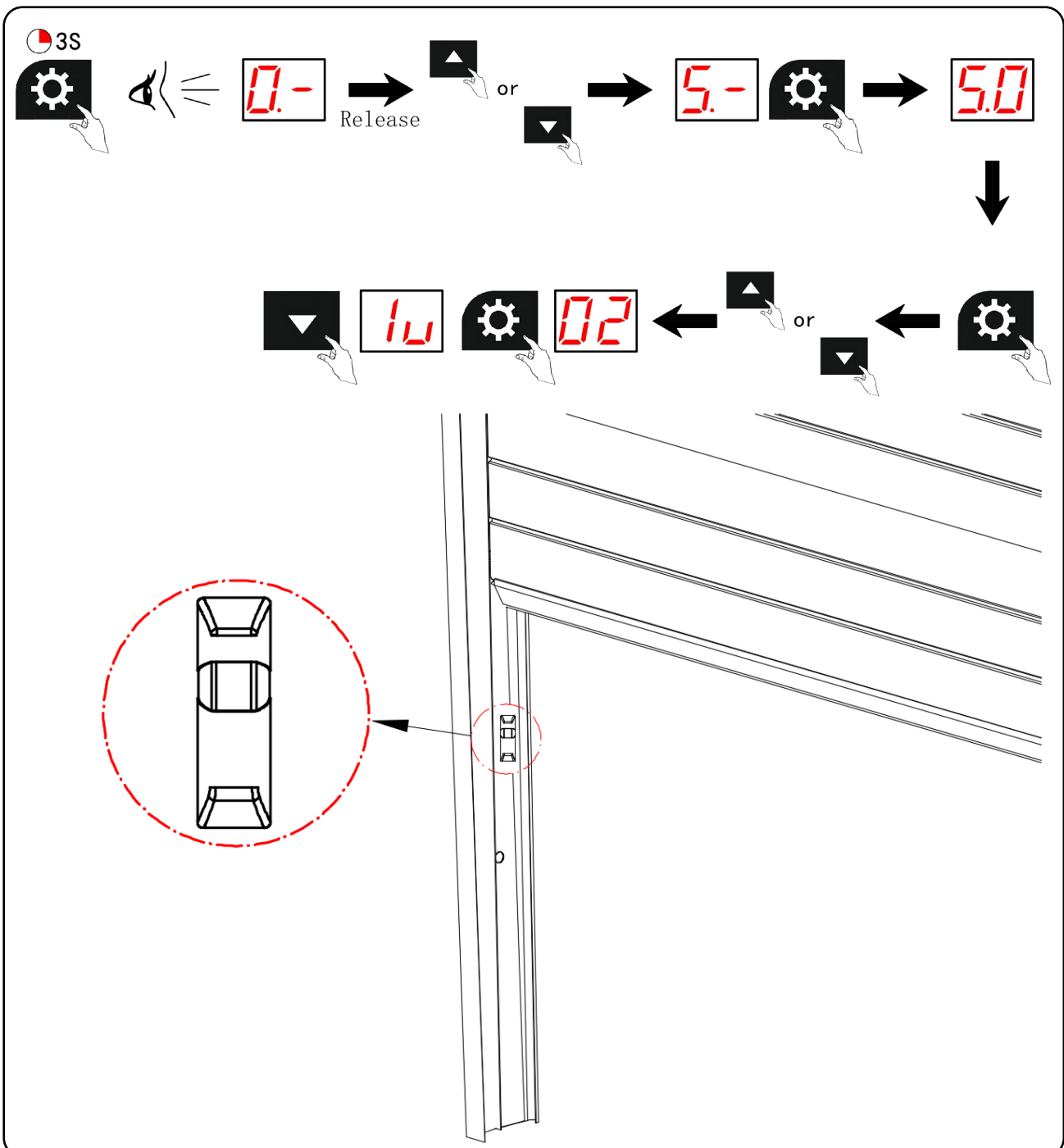


02

Built-in (within track) photo beam function

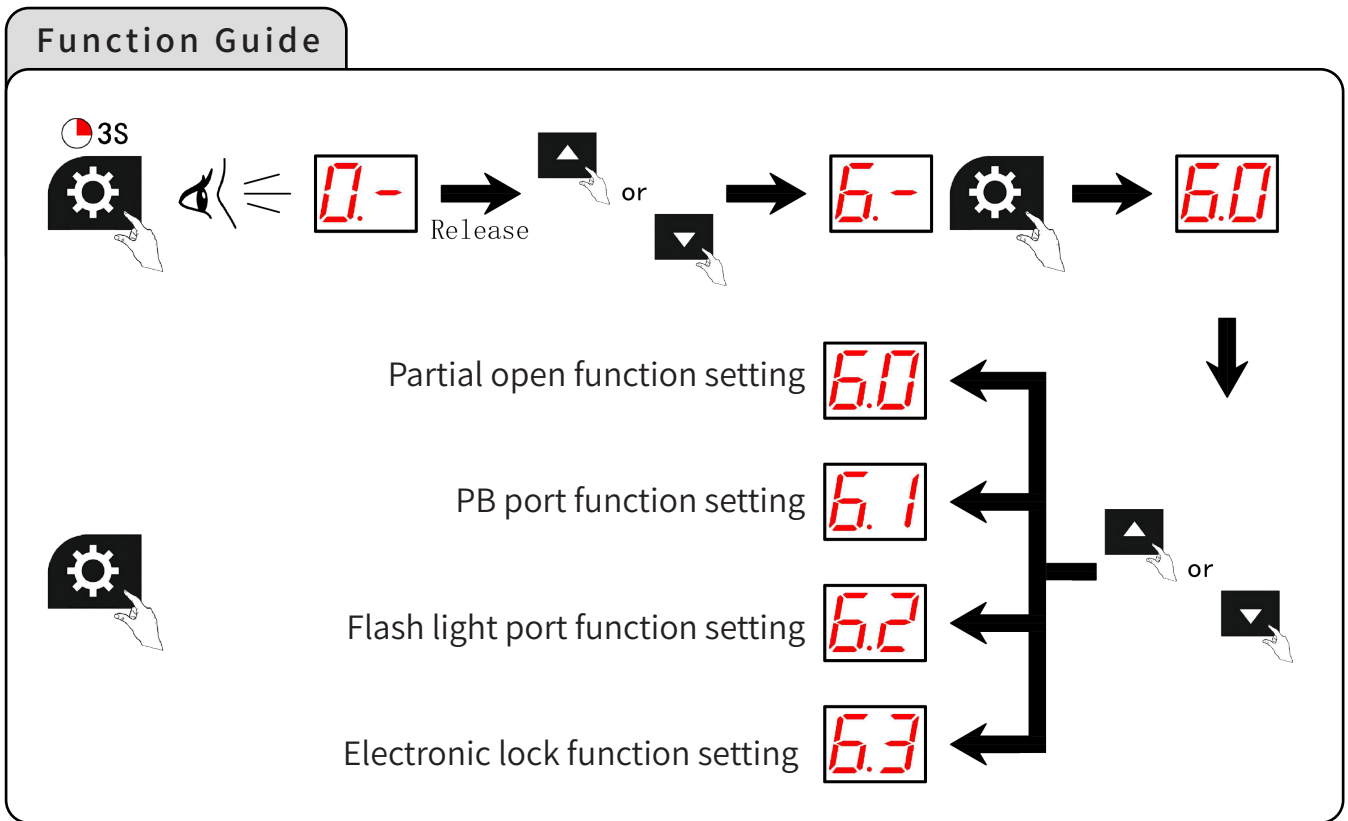
① Installation Prerequisite: Install the infrared beam within the door track prior to using the function.

① Operational Notes: To engage the track's infrared beam, ensure the door is fully opened to its open limit. Failure to reach this limit will trigger an error **E9**. An error **E9** will also be indicated if the infrared beam is not detected during door closure to the fully sealed position.



6.-

Menu 6: External port function setting

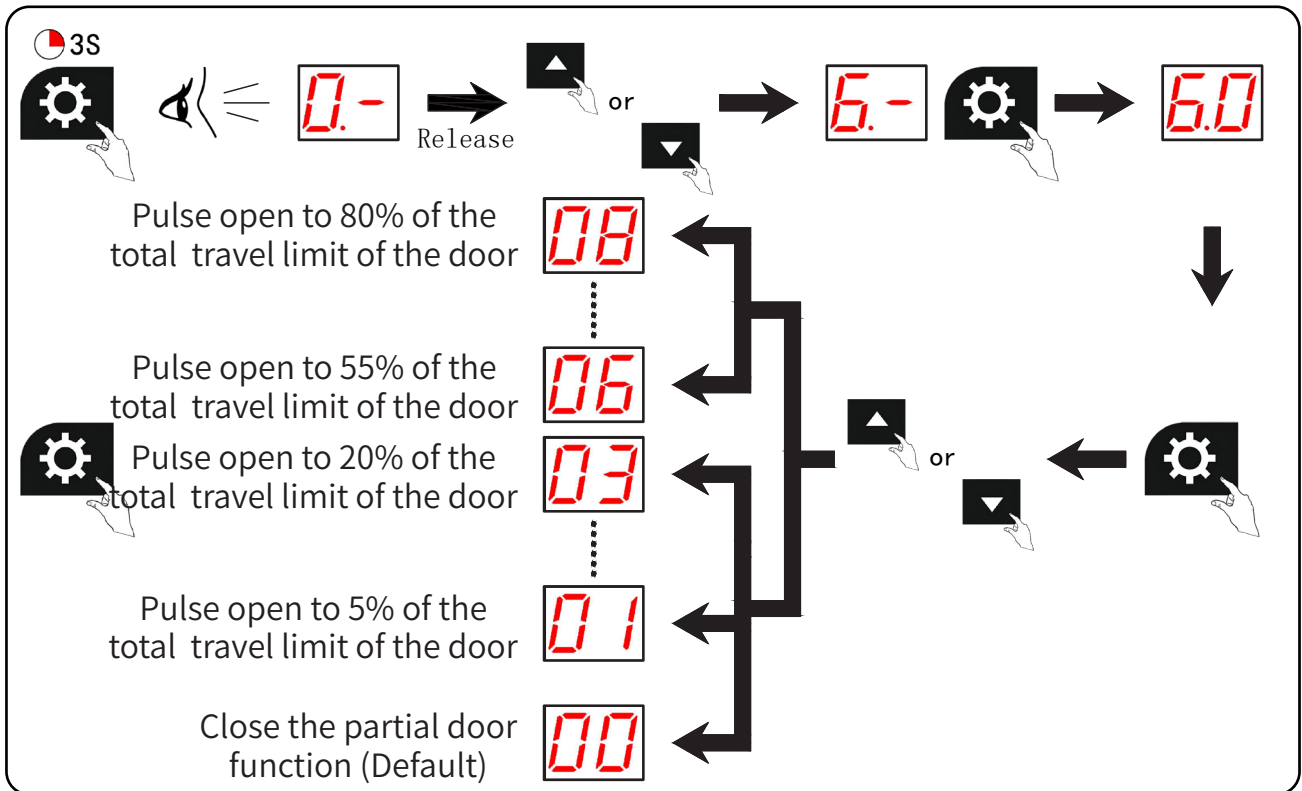


6.0

Partial open function setting

Parameter **01**—**08** :

- ① Connection instructions: HB-GND port.
- ① Set the door opening position, the partial open door port contact activates the door opening state.

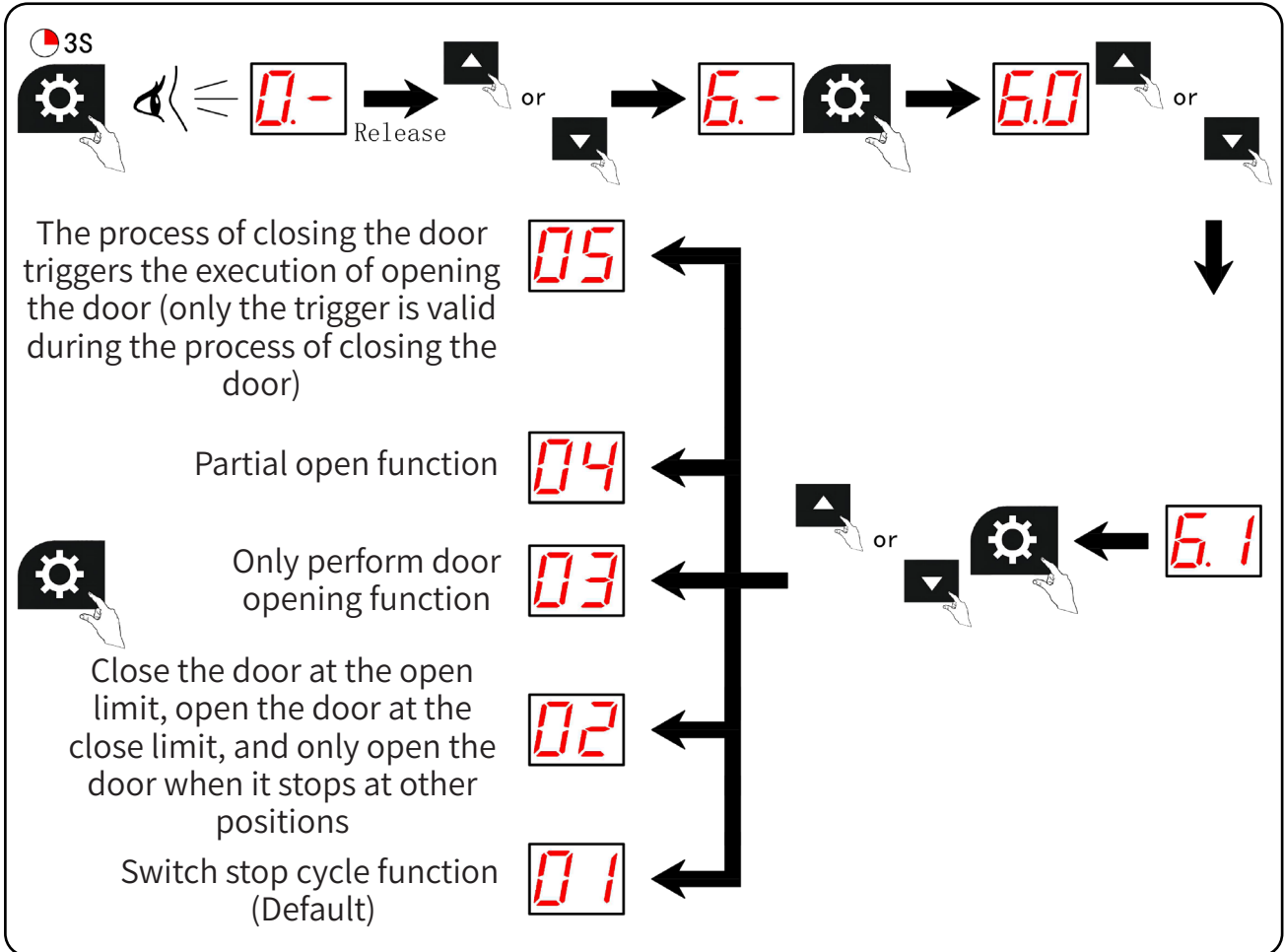


	Close the partial door function (Default)
	The partial open position is 5% of the total travel limit of the door movement
	The partial open position is 10 % of the total travel limit of the door movement
	The partial open position is 20 % of the total travel limit of the door movement
	The partial open position is 40 % of the total travel limit of the door movement
	The partial open position is 50 % of the total travel limit of the door movement
	The partial open position is 55 % of the total travel limit of the door movement
	The partial open position is 60 % of the total travel limit of the door movement
	The partial open position is 80 % of the total travel limit of the door movement

6.1

PB port function setting

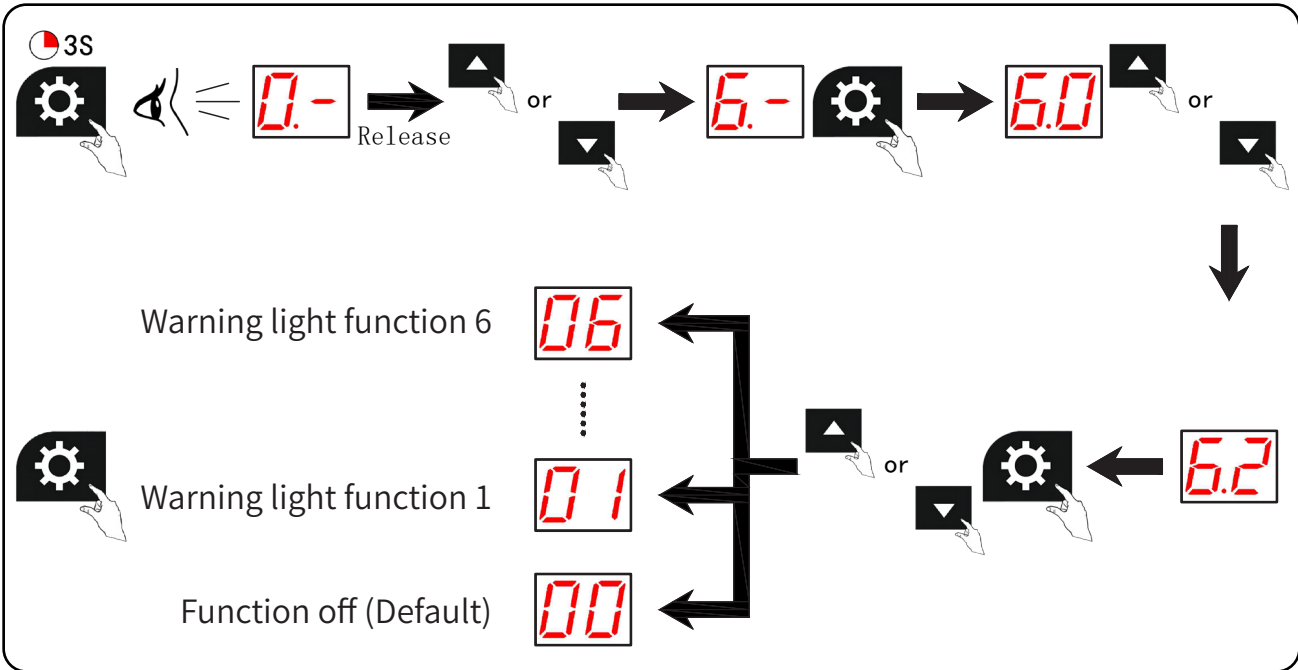
- ① Connection Description: PB-GND port.
- ① Port performs the pulse trigger function.
- ① When using the 04 Partial open function, the parameters in menu 6.0 need to be set.





Flash light port function setting

① Connection Description: FLA-GND port.









Standard flash light features

- ① Light Operation: Flashes during activity; turns off when inactive.
- ① Flash Rate: Controlled by parameter 9.5 (Warning Light Frequency).

CODE	Function	Close limit state	Open limit state	Alert status	Operating status
	standard application (Default)	OFF	OFF	OFF (without warning)	Flashing ²

More functions for flash light

- ① 1. Warning light duration is set by param 9.3.
- ① 2. Flashing frequency is set by param 9.5.
- ① 3. Close-limit light state is set by param 9.6.

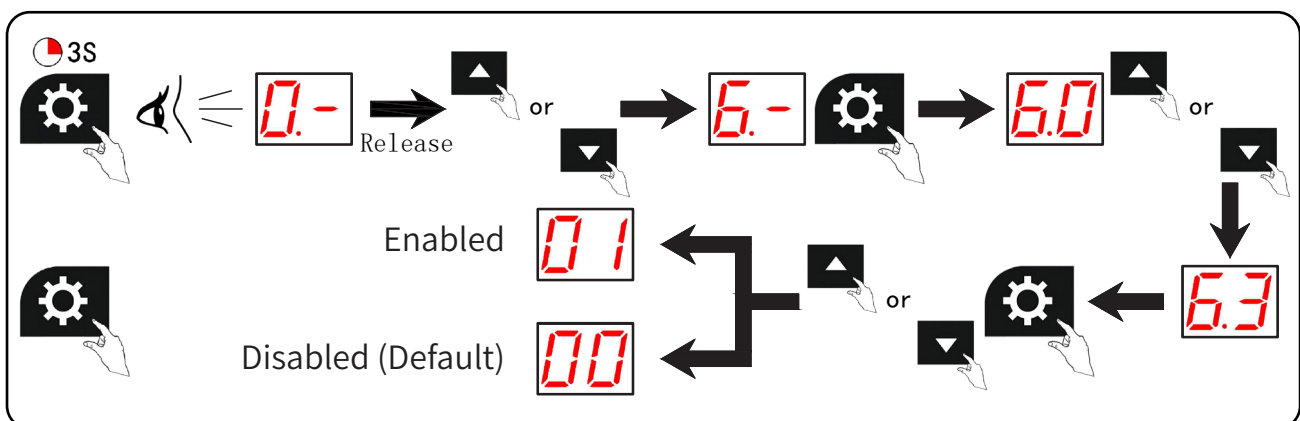
CODE	Function	Close limit state ³	Open limit state	Alert status ¹	Operating status
	Warning light function 1	OFF	OFF	Flashing ²	ON
	Warning light function 2	OFF	OFF	Flashing	Flashing
	Warning light function 3	OFF	OFF	ON	ON
	Warning light function 4	OFF	OFF	Flashing	OFF
	Warning light function 5	OFF	ON	Flashing	OFF
	Warning light function 6	OFF	ON	OFF	OFF

Electronic lock function setting

① Connect the electronic lock to the E-lock port of the motor.

Red: L+ Gray: L - IN
 Black: L - Pink: L - OUT

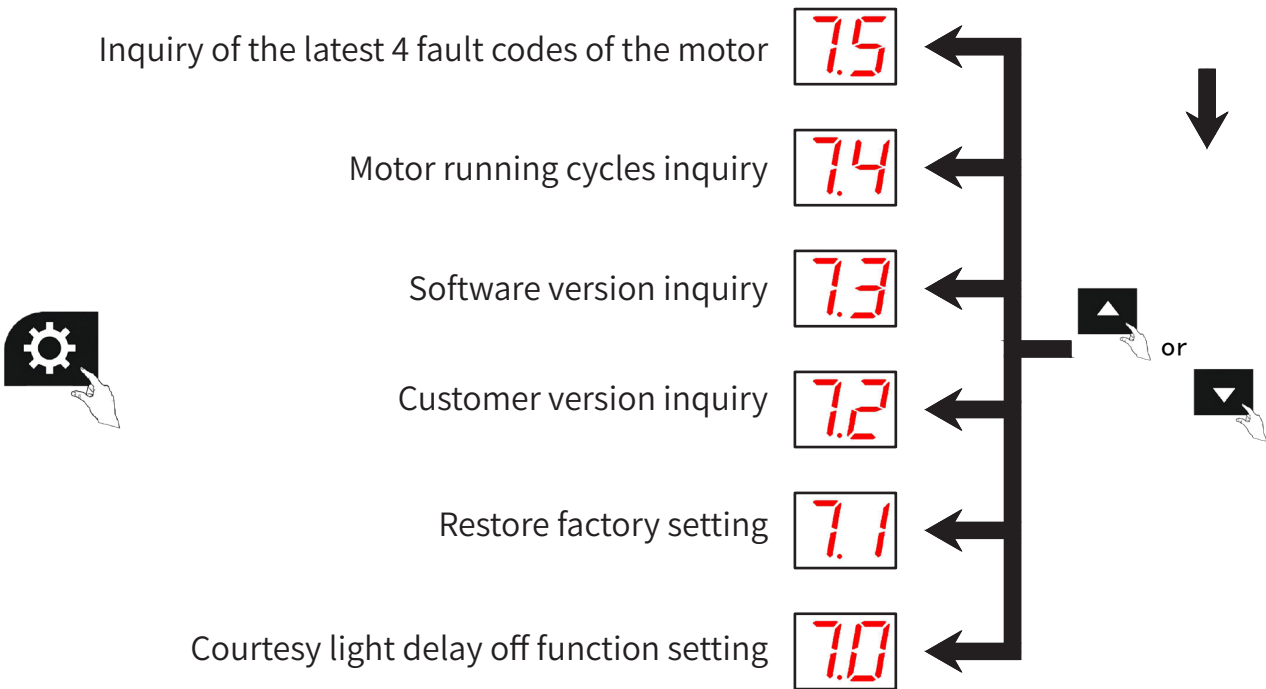
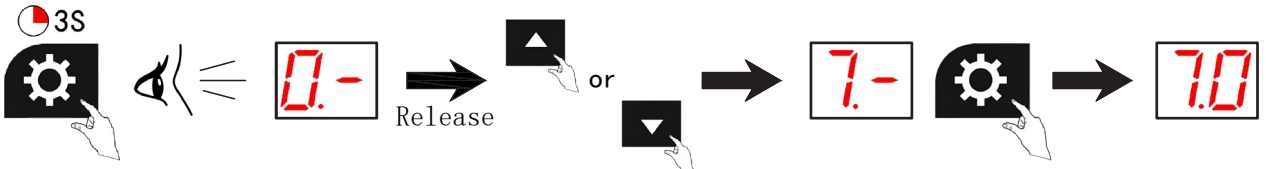
① Once the electronic lock is properly connected and the door is fully closed, the lock cylinder extends. (Reverse connect of the lock may damage the door or lock upon opening; ensure correct wire connection order.)



7-

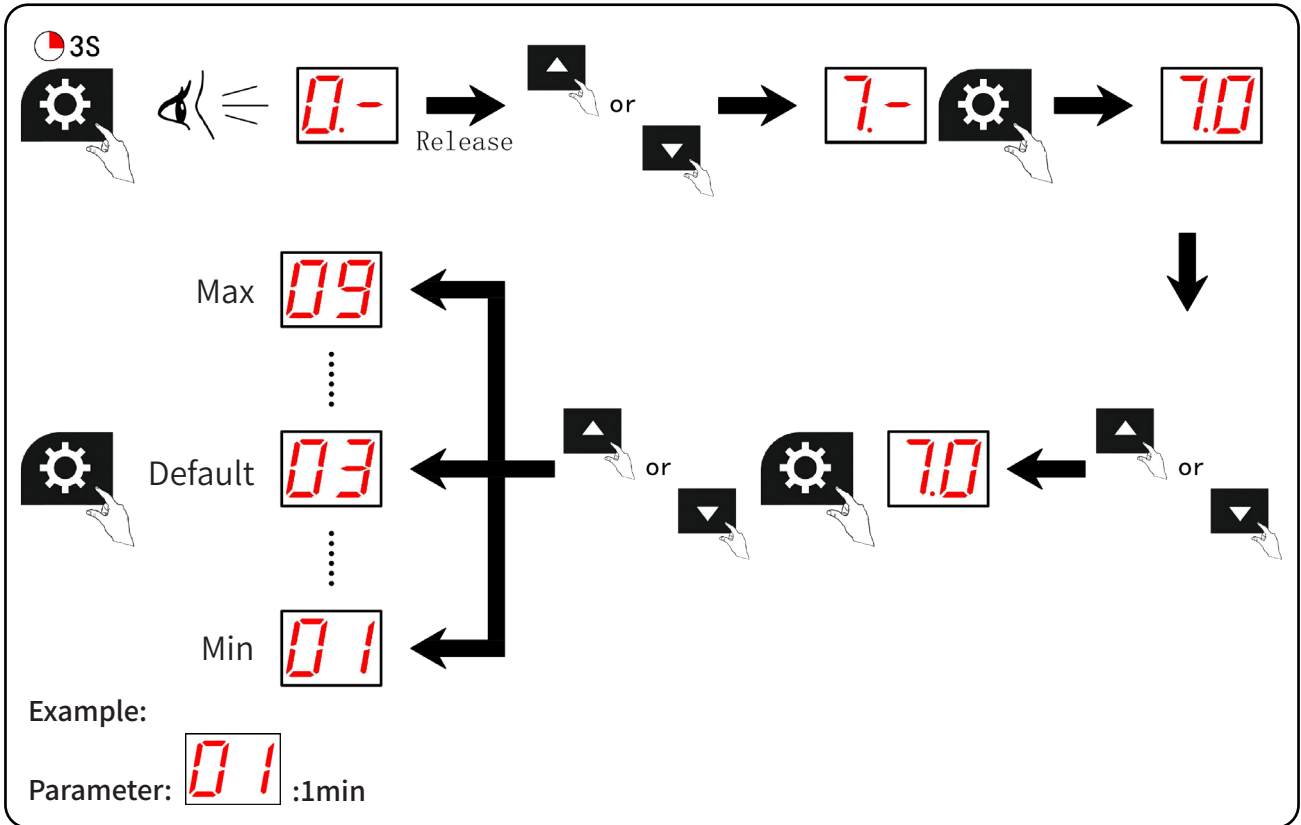
Menu 7: Motor query function setting

Function Guide



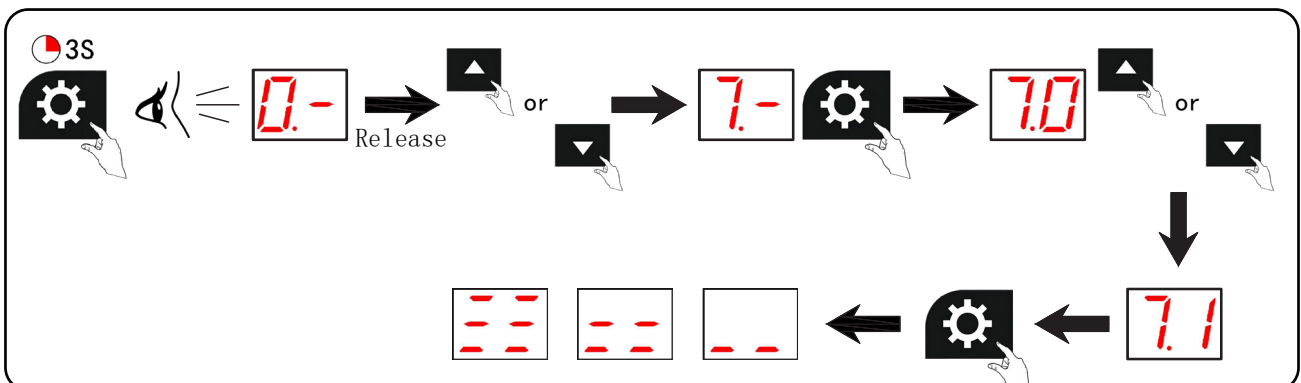
7.0 Courtesy light delay off function setting

- ① This function menu is only visible on DC - IDO motors.
- ① Used to set the delay time for the courtesy light to turn off after the motor stops running.



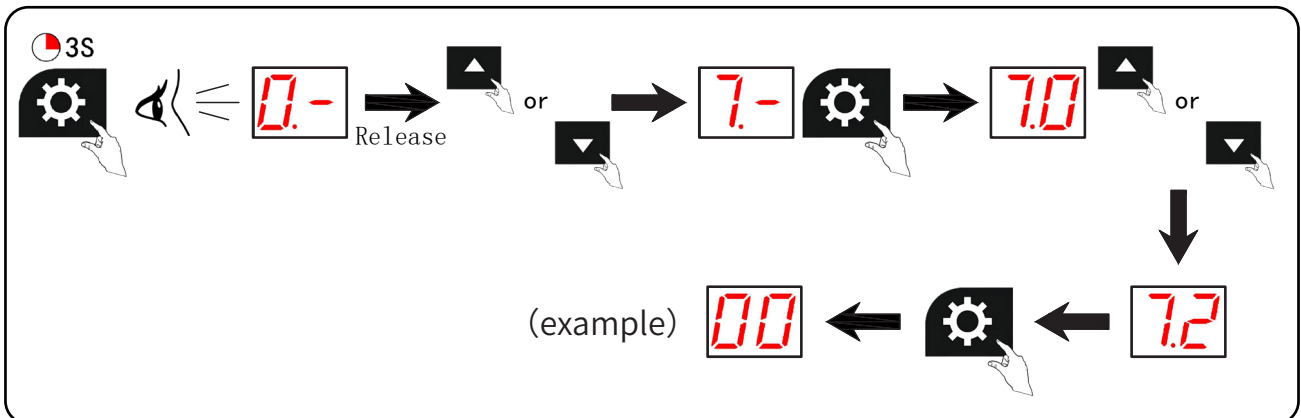
7.1 Restore factory setting

- ① All settings are set to factory settings! In addition to the cumulative running times of the motor and the number of maintenance alarms.
- ① After restoring the factory settings, power off the system for 1 minute and then power on again.



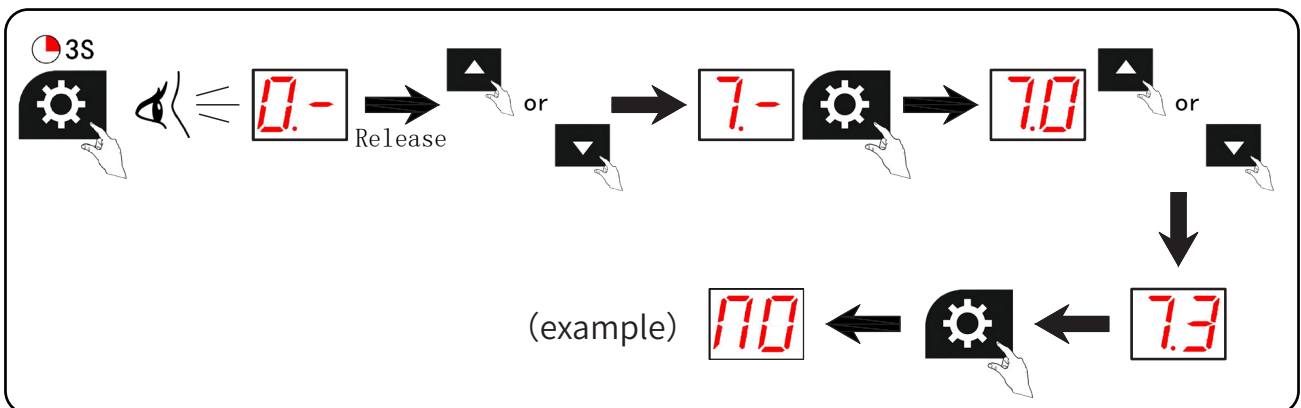
7.2 Customer version inquiry

- i This function can query the customer code.



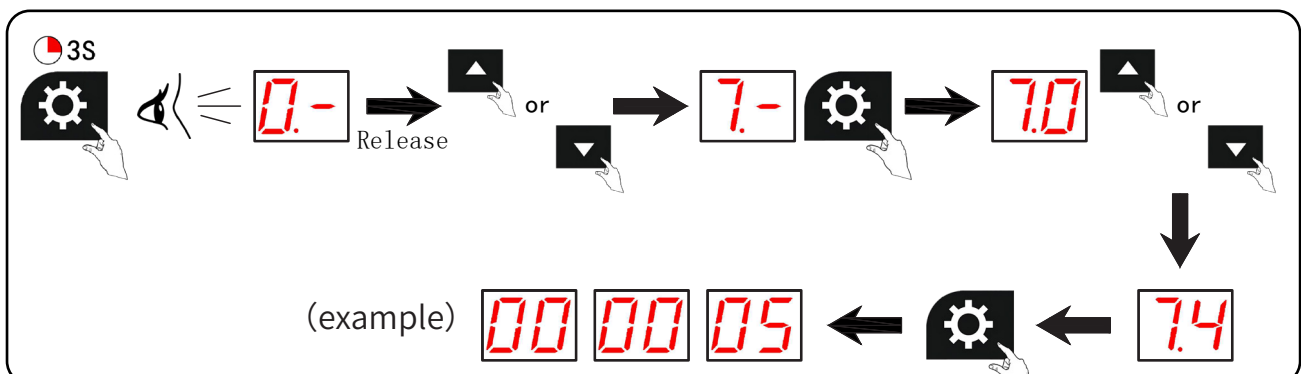
7.3 Software version inquiry

- i This function can query the hardware versions of the control module, encoder module, power limit module and inverter module.
- i Example: Display in the order of A0-10-C0-b0.



7.4 Motor running cycles inquiry

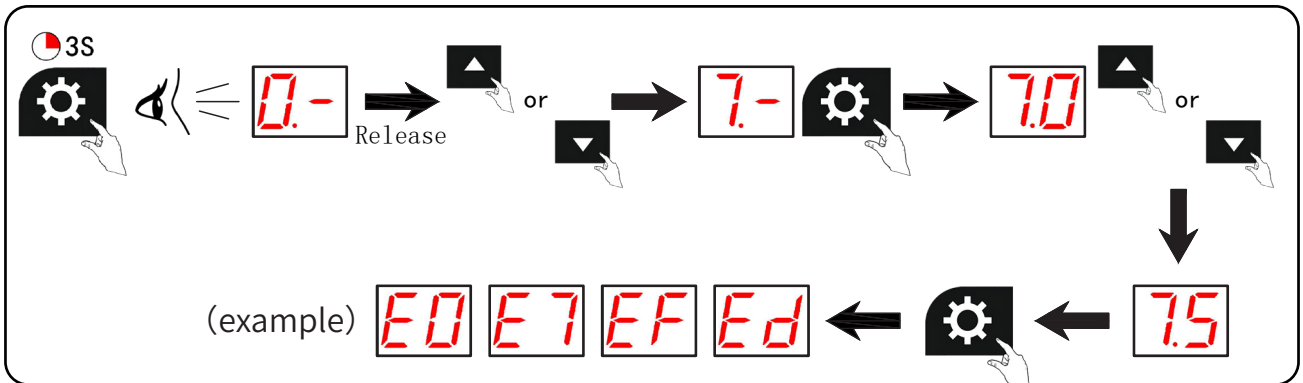
- i This function can query the accumulative running times of the motor.
- i The accumulative running times of the motor will not be cleared after the motor is restored to factory settings.



7.5

Inquiry of the latest 4 fault codes of the motor

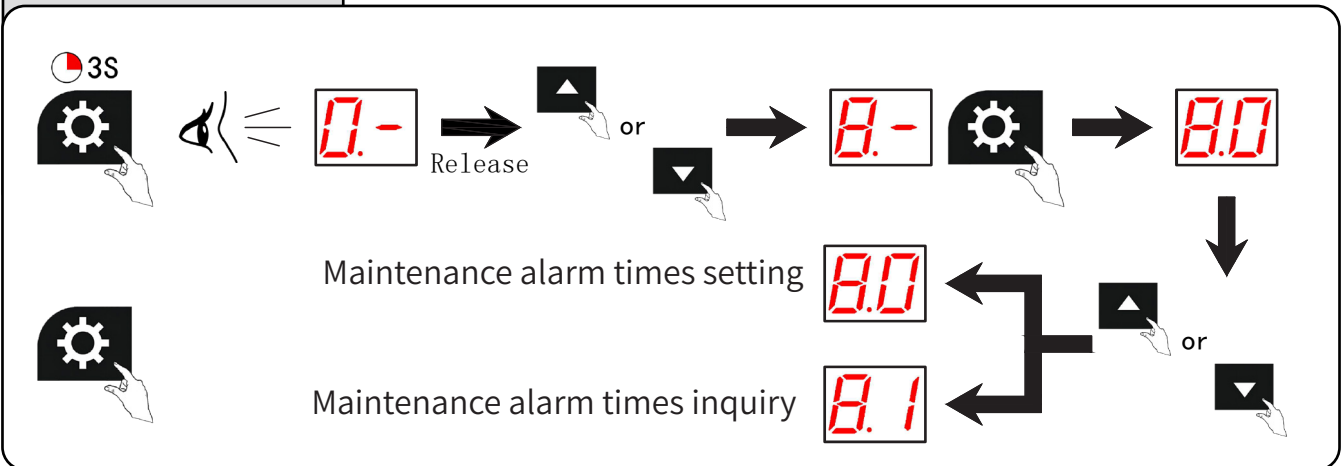
i This function can query the last four fault codes of the motor.





Menu 8: Maintenance alarm function setting

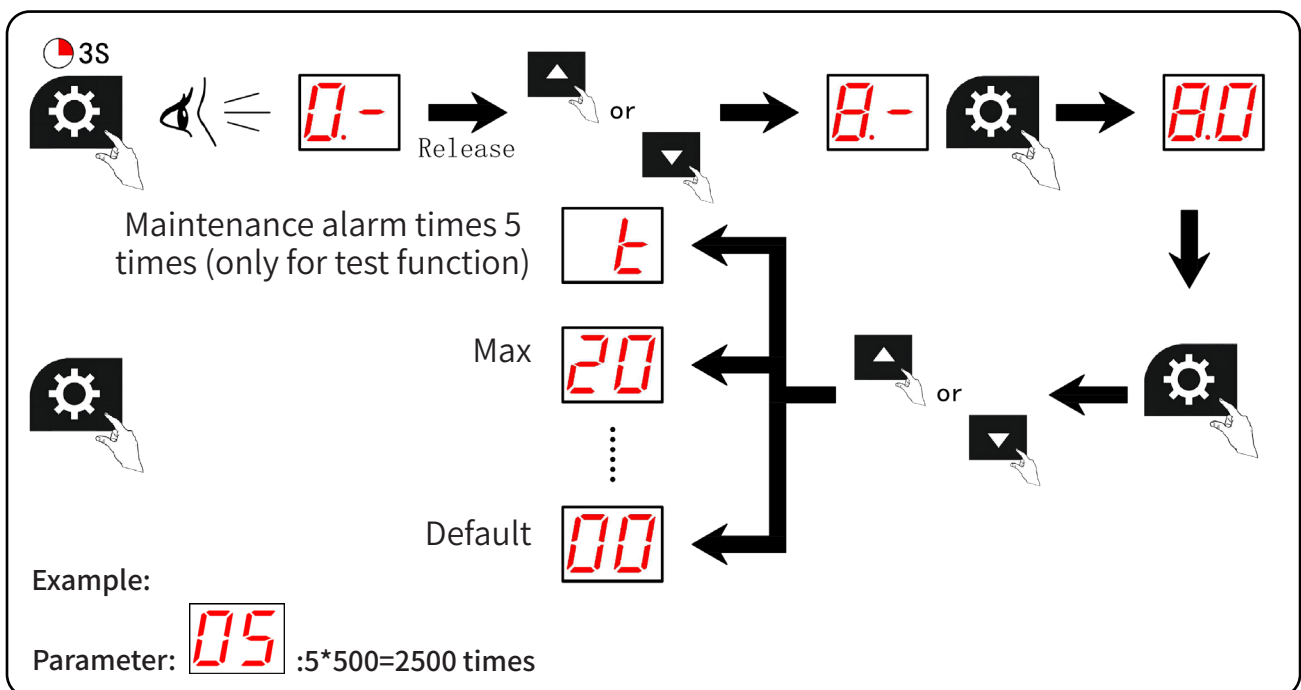
Function Guide



Maintenance alarm times setting

① Once the maintenance alarm cycle limit is reached, the motor switch door's digital tube will show a prompt code **CA**. Reset by re-entering menu 8.0 to set the maintenance alarm level.

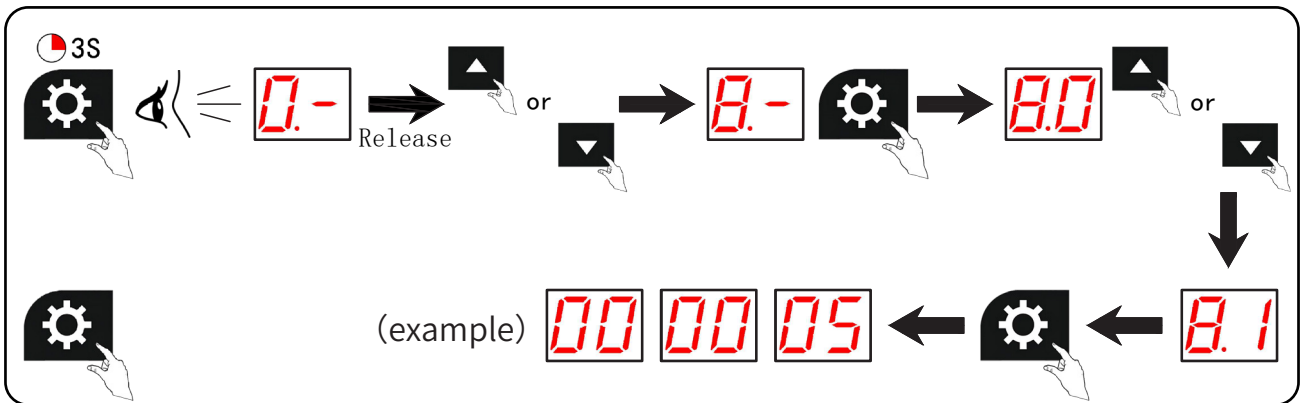
① Motor behavior post-maintenance alarm limit is set by the corresponding parameter **8.1**.





Maintenance alarm times inquiry

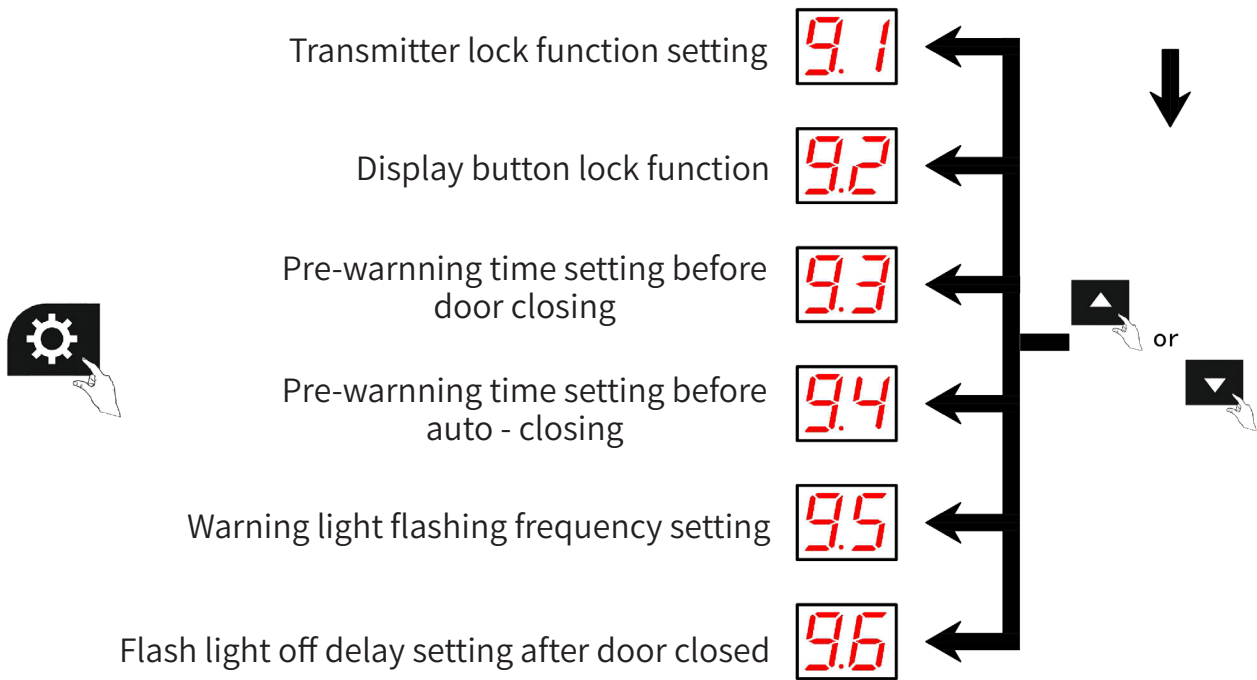
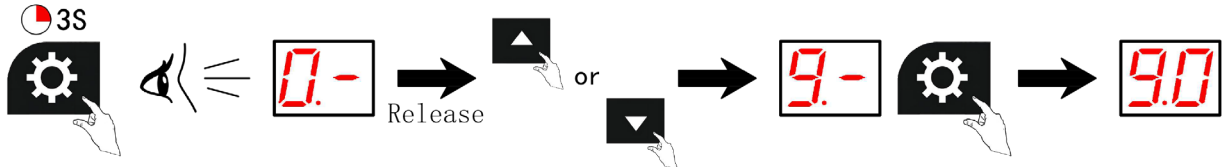
- ① The number of maintenance alarms will not be cleared after the motor is restored to factory settings.
- ① After the maintenance of the door body is completed, the maintenance personnel need to re-enter the menu to set the maintenance times, and the number of motor maintenance alarms will start counting again.



9-

Menu 9: Other function settings of the motor

Function Guide

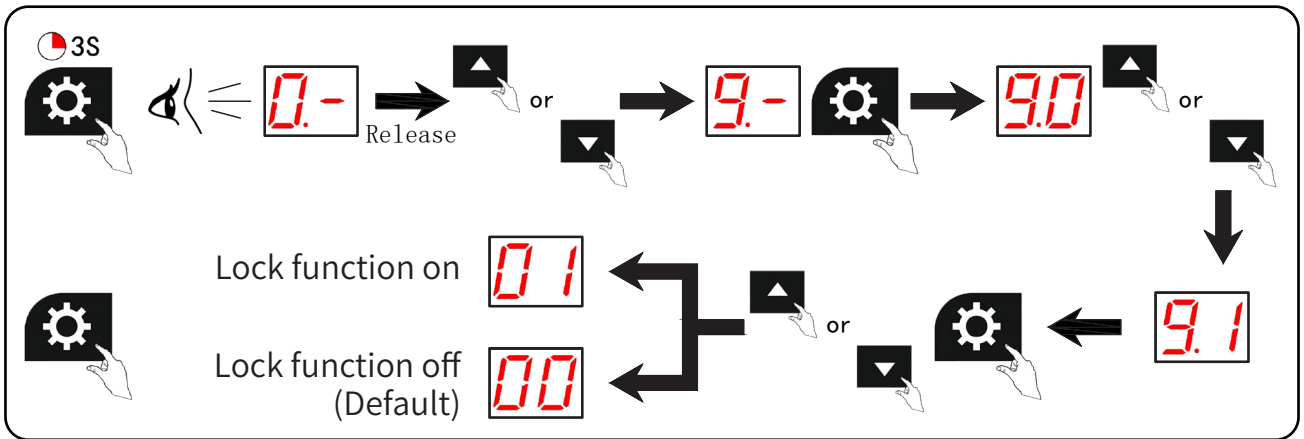


9.1

Transmitter lock function setting

① The remote controller control will be locked after the function is turned on. Can be unlocked and locked via this menu or the remote control receiver

① Displayed when the remote lock is locked **LF**, Show when unlocked **FL**.



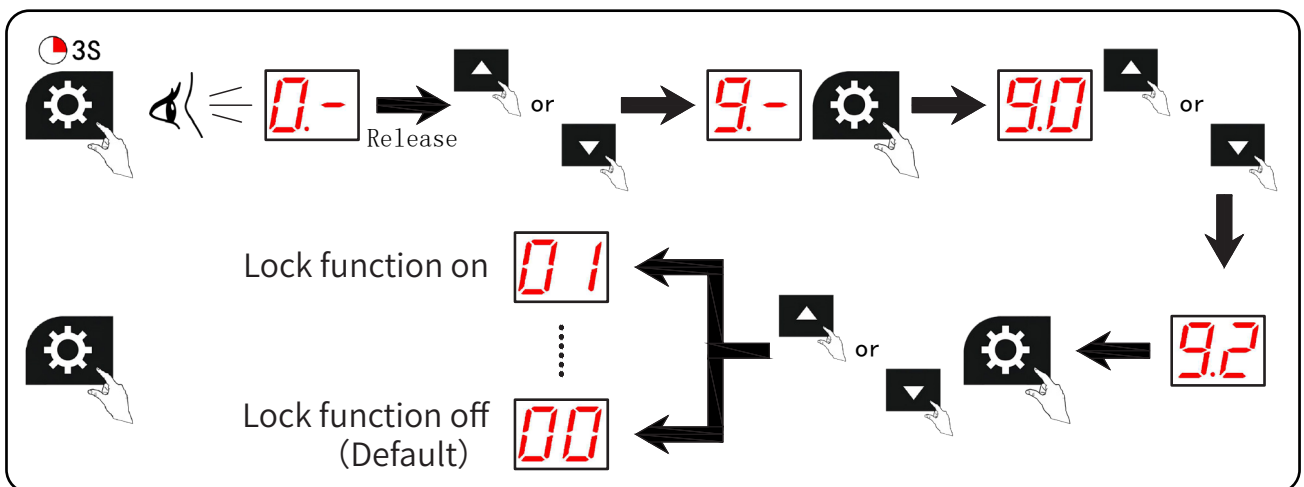
9.2

Display button lock function

① After turning on the display lock function, the control panel buttons are invalid, except for long pressing the SET button to enter the menu settings.

① After the lock is turned on, the control box button triggers the display: **LL**

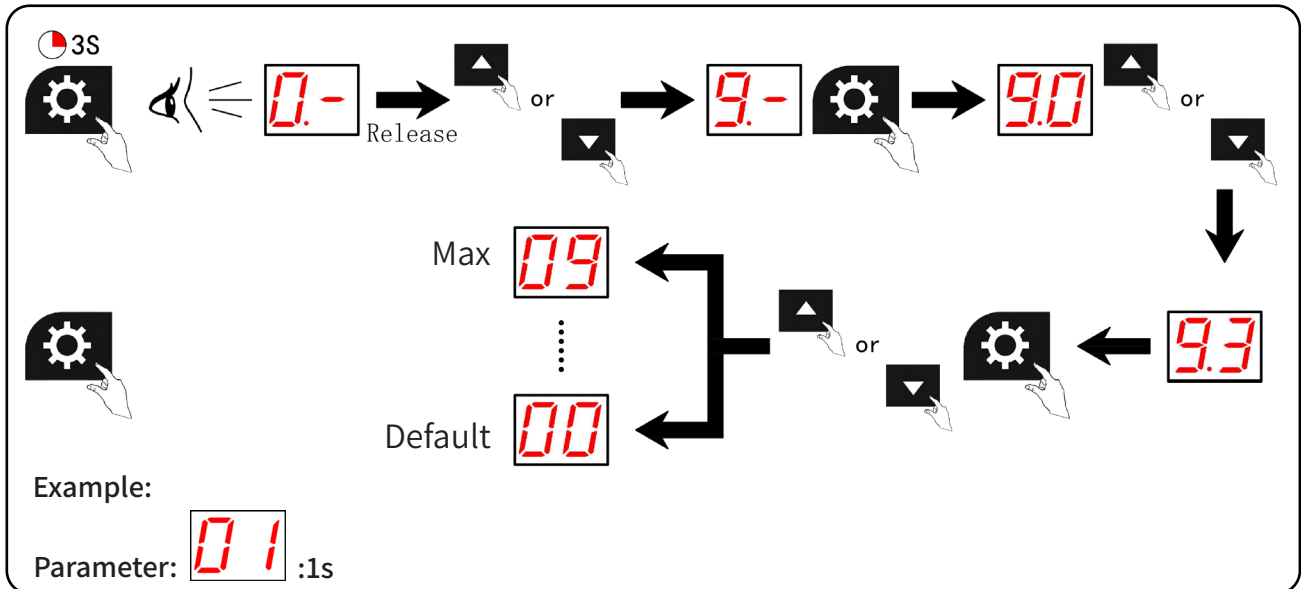
Lock off display: **LC**



9.3

Pre-warning time setting before door closing

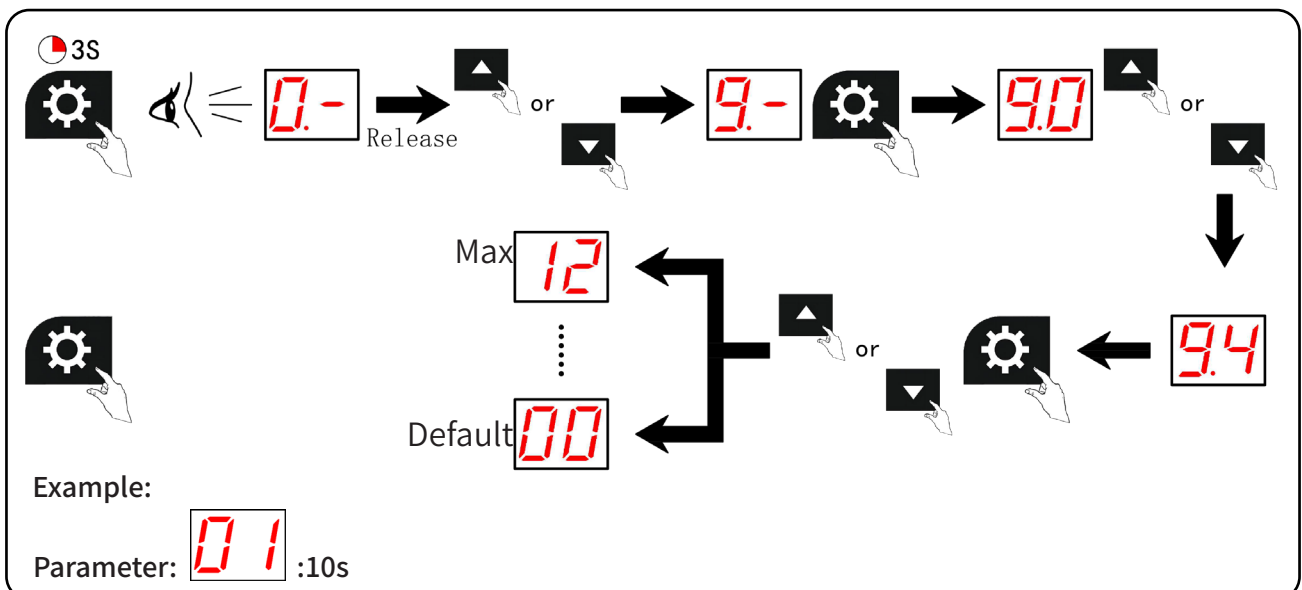
- ① The time setting range of this parameter is : 0 seconds-9 seconds.
- ① This menu is only visible after the warning light turns on the 01-06 traffic light function in menu 6.2



9.4

Pre-warning time setting before auto - closing

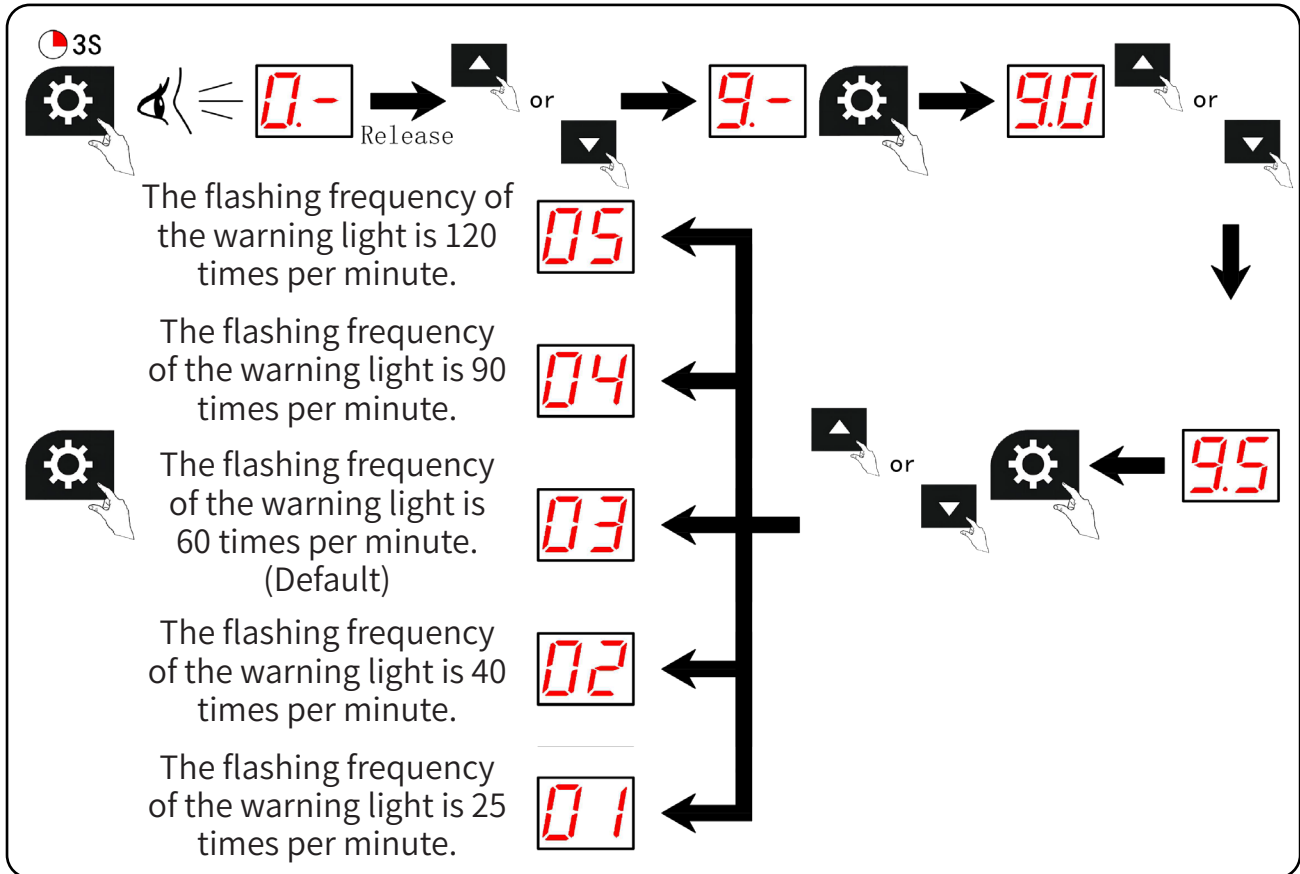
- ① The time setting range of this parameter is: 0 seconds-120 seconds ($X=n*10$ seconds).
- ① Before using this function, you need to turn on the 01-06 traffic light function in menu 6.2.
- ① To use this function, you need to enable the automatic door closing function in menu 4.0.



9.5

Warning light flashing frequency setting

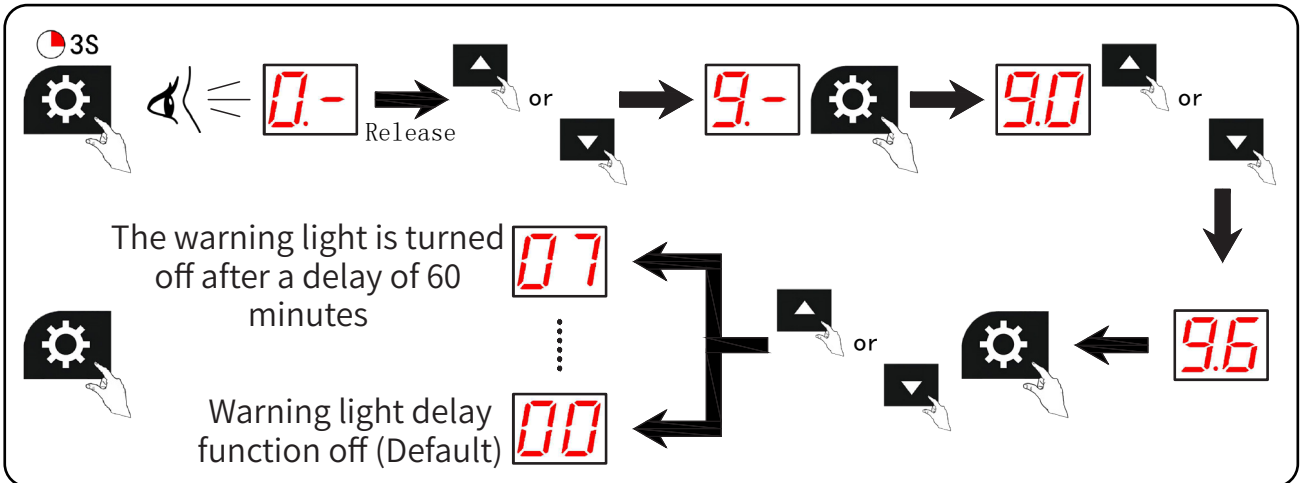
- ① This function is used to adjust the flashing frequency of the warning light.
- ① The flashing frequency of the warning light is 60 times/minute (this function menu can only be seen after turning on the 6.2 warning light function port 0 1 -06)



9.6

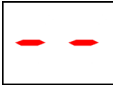


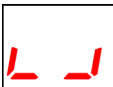


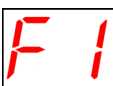





Flash light off delay setting after door closed

- ① This function is used to adjust the delay off time after the warning light reaches the close limit.
- ① Before using this function, you need to turn on the 01-06 traffic light function in menu 6.2.













<p>00</p>	The warning light delay function is turned off. (Default)
<p>01</p>	The warning light delay function is on.
<p>02</p>	The warning light turns off after a delay of 1 minute.
<p>03</p>	The warning light will be turned off after a 3-minute delay.
<p>04</p>	The warning light will be turned off after a 5-minute delay.
<p>05</p>	The warning lights are turned off after a 20-minute delay.
<p>06</p>	The warning lights are turned off after a 30-minute delay.
<p>07</p>	The warning light will be turned off after a delay of 60 minutes.

11. System Running Display Codes




Display information	
	No travel limit state, can run in long press mode
	With travel limit status display
	Open limit learning status display
	Close limit learning status display
	Door open display
	Closed door operation display
	PE/GND port is triggered
	After the number of maintenance alarms in menu 8.0 is reached, it will be displayed every time
	Remote control function lock display
	Remote control function unlock display
	Control box child lock status
	Control box child lock unlock status

12. System Fault Codes

Fault display code	Problem Description	Solution
	Encoder can't get data during door running. Motor can't open or close the door.	<ol style="list-style-type: none"> 1. Stuck point in the door, check door and track. 2. Door running speed is too slow, adjust speed from Menu 2.0 and 2.1. 3. Travel limit gear structure problem, change a new motor.
	Encoder failure.	Replace the encoder.
	Communication failure between travel limit module and encoder.	<ol style="list-style-type: none"> 1 Eliminate the interference source and re-execute the control operation. 2. Replace a new connection cable. 3. Replace a new encoder.
	Travel limit module not detected.	<ol style="list-style-type: none"> 1. Replace the encoder accessories. 2. Replace the encoder chip. 3. If the travel limit system fails, replace the control module.
	Motor overload.	<ol style="list-style-type: none"> 1. Check door running is proper and smooth enough. 2. Replace a new motor.

Fault display code	Problem Description	Solution
	<p>1. During setting the door open/close limit, it appears when pressing SET. 2. Motor operation exceeds the limit turns. 3. It appears when the built-in infrared coordinate setting condition is not at the door open limit, or appears when both are built-in infrared. 4. When the automatic closing is executed, the door can not be closed due to related faults or DW setting in Dead man mode.</p>	<p>According to the operating instructions, adjust the settings when meeting the relevant conditions.</p>
	<p>1. Wired E-Lock is triggered or faults 2. "6.3" function is switched on, but no wired E-Lock is connected</p>	<p>1. Check the wired E-Lock wiring 2. Check whether the wired E-Lock is abnormal or damaged, the wired E-Lock bolt can not retract properly</p>
	<p>Door travel limit set failure, travel is too short or exceed encoder turns.</p>	<p>Reset door open/close position limit.</p>
	<p>Wicket door port triggers the emergency stop.</p>	<p>Check wicket door device.</p>
	<p>Motor wiring sequence mistake.</p>	<p>Adjust the correct wiring sequence.</p>

13. Drive System Fault Codes

Fault display code	Problem Description	Solution
	The program and the circuit board do not match.	Check whether the PRO version and STD version display control module, WiFi module, terminal wiring module are consistent.
 	The connection between the driver module and the display control module is abnormal.	<ol style="list-style-type: none">1. Check whether the display control module connection cable is damaged.2. Check whether the wiring of the drive module and display control module is loose.3. Check whether the driver module is connected normally.4. Replace the driver module or display control module.